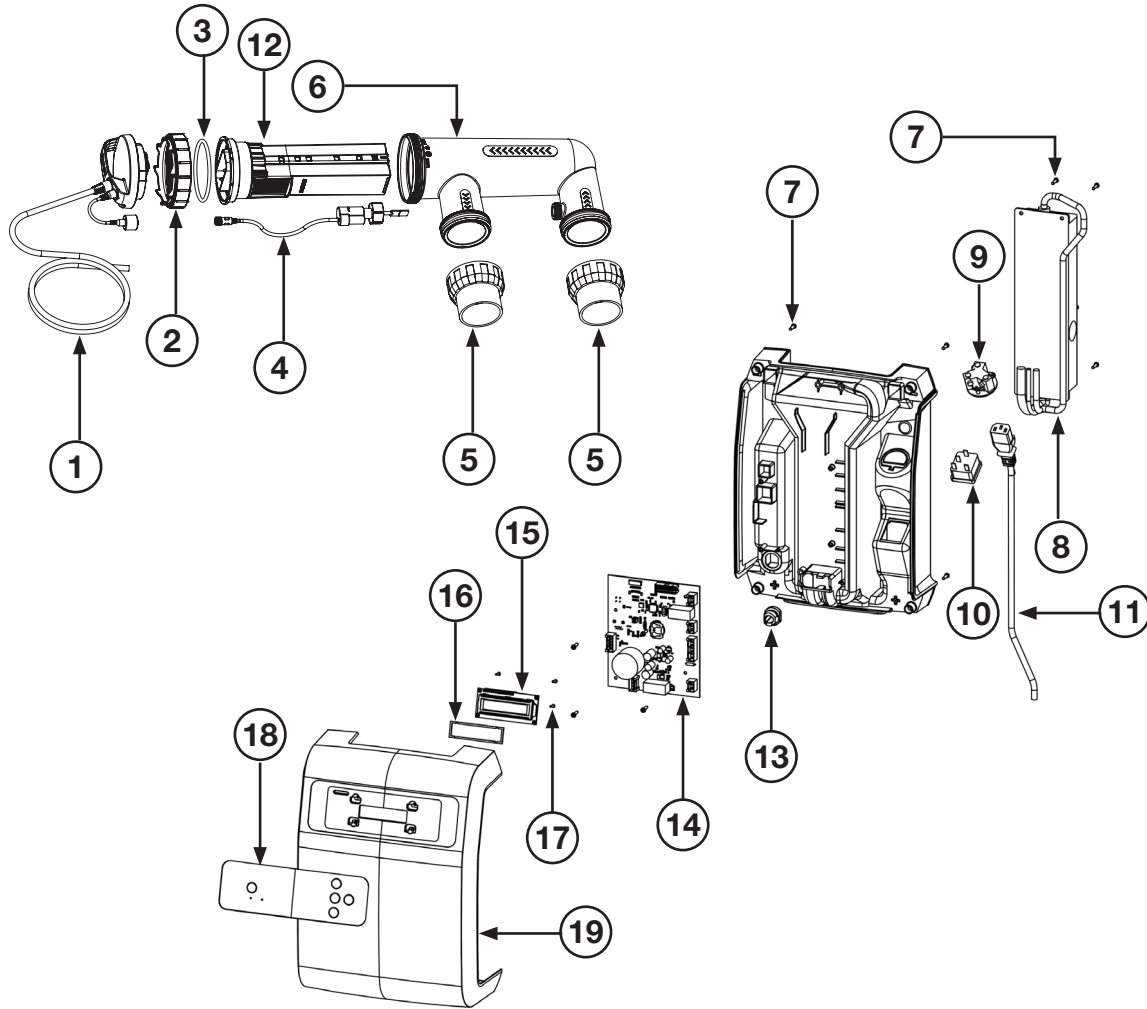


<b>ChloroMatic Nipper Chlorinator</b>	<b>DNP15C</b>	<b>DNP25C</b>	<b>DNP35C</b>
<b>ChloroMatic Nipper Chlorinator Low Salt</b>		<b>DNP15CLS</b>	<b>DNP25CLS</b>



ITEM	NOTES	DESCRIPTION	QTY REQ'D	PART NO.
1		Cell Connection Plug Assy	1	33021
2		Cell Locking Ring	1	16058
3		O-ring - Cell Head	1	403377
4		Paddle Switch	1	16102-2SP
5		Barrel Union Assembly	2	48722B
6		Cell Body	1	16116
7		Screw	12	403625
8		Switch mode power supply DNP15C (LS)	1	403368
8		Switch mode power supply DNP25C (LS) & DNP35C	1	403369
9		Pump Loom	1	16075
10		Mains Loom	1	16073
11		Power Cord 240v	1	403370
12		Replacement Cell DNP15C	1	DES2C15REPAU
12		Replacement Cell DNP25C, DNP15CLS	1	DES2C25REPAU
12		Replacement Cell DNP35C, DNP25CLS	1	DES2C35REPAU
13		Bush Power Cable	1	403372
14		PCB DNP15C	1	33005C-15ASP
14		PCB DNP15CLS	1	33005C-15ALSP
14		PCB DNP25C	1	33005C-25ASP
14		PCB DNP25CLS	1	33005C-25ALSP
14		PCB DNP35C	1	33005C-35ASP
15		PCB LCD	1	16046
16		PCB LCD Gasket	1	16077
17		Screw LCD	4	403366
18		Control Panel Decal	1	16047
19		Front Casing	1	16042