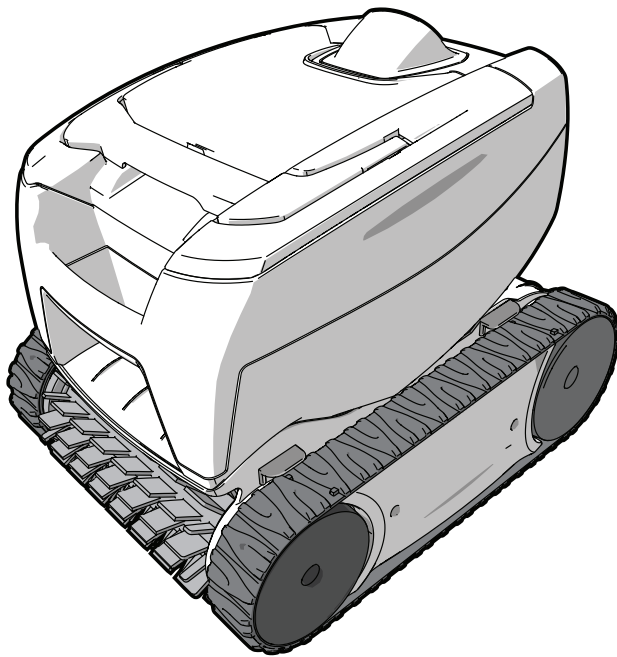




**ZODIAC®**

**OWNER'S MANUAL**



**TX 20**

**TX 30**

**TX 35**

**TORNAX Robotic  
Pool Cleaners**

**EP34--  
EP35--**

**⚠ WARNING**

**FOR YOUR SAFETY - For anything other than the routine cleaning and maintenance described in this manual, this product must be serviced by a contractor who is licensed and qualified in pool equipment by the jurisdiction in which the product will be installed where such state or local requirements exist. In the event no such state or local requirement exists, the maintainer must be a professional with sufficient experience in pool equipment installation and maintenance so that all of the instructions in this manual can be followed exactly. Improper installation and/or operation will void the warranty.**

# Table of Contents

<b>Section 1. Important Safety Instructions.....</b>	<b>3</b>	<b>Section 4. Maintenance.....</b>	<b>9</b>
<b>Section 2. Getting Started.....</b>	<b>4</b>	4.1 Cord Tangling .....	9
2.1 General Specifications .....	4	4.2 Replacing the Brushes .....	9
2.2 Unpacking .....	4	4.3 Replacing the Track.....	10
2.3 Cleaner Control Unit.....	4	<b>Section 5. Troubleshooting .....</b>	<b>10</b>
2.4 Connecting to Power Source.....	5	5.1 Using the Information LED .....	10
<b>Section 3. Operation.....</b>	<b>6</b>	5.2 General Troubleshooting .....	10
3.1 Submerging the Cleaner .....	6		
3.2 Running the Cleaner .....	6		
3.3 Stopping the Cleaner and Removing from the Pool.....	7		
3.4 Rinsing the Cleaner.....	7		
3.5 Cleaning the Filter Canister.....	7		
3.6 Storing the Cleaner .....	8		

THANK YOU FOR PURCHASING THIS ROBOTIC POOL CLEANER BY ZODIAC®.

YOUR CLEANER HAS BEEN DESIGNED AND MANUFACTURED TO BE EASILY INSTALLED AND TO PROVIDE LOW MAINTENANCE OPERATION. PRIOR TO INSTALLING YOUR NEW CLEANER, PLEASE DO THE FOLLOWING:

- 1) Complete and return the warranty card.
- 2) Record your purchase information on the spaces provided below.
- 3) Attach your invoice (or a copy) to this page.

Taking these steps will help ensure prompt warranty service, should it be required. If service is required, please contact your original dealer. If the original dealer does not perform warranty service:

**Australia and New Zealand** Please contact Zodiac Customer Care 1300 763 021 or visit [www.zodiac.com.au](http://www.zodiac.com.au)

**South Africa** Please contact Zodiac Customer Care 0860 887 665 or visit [www.zodiac.co.za](http://www.zodiac.co.za)

In the case that your product may require a warranty or service, please retain the original carton to transport your cleaner in.

RECORD YOUR ZODIAC CLEANER DATA HERE:

Date of Purchase \_\_\_\_\_ Purchased From \_\_\_\_\_ Serial Number: \_\_\_\_\_  
(located on machine head)

City \_\_\_\_\_ State \_\_\_\_\_ Postal Code \_\_\_\_\_

## Section 1. Important Safety Instructions

Congratulations on purchasing the Zodiac Robotic Cleaner. Please read through the entire manual before installing your new robotic pool cleaner. Your cleaner must be installed and operated as specified.

### READ AND FOLLOW ALL INSTRUCTIONS

#### **⚠ WARNING**

**Failure to comply with the following warnings can result in permanent injury, electrocution or death.**

##### **PREVENT ELECTRICAL SHOCK**

To reduce risk of electrical shock:

- The cleaner is to be installed in accordance with the relevant requirements of South African wiring rules, or in Australia within requirements of wiring rules AS/NZS 3000. Also refer to the installation instructions relating to the swimming pool equipment for which the cleaner will be an integral part. The cleaner is to be supplied through a Residual Current Device (RCD) with a rated residual operating current of 30mA.
- Do not enter pool while the robotic cleaner is in water.
- Do not bury cord. Locate cord so as to prevent it from being damaged by lawn mowers, hedge trimmers and other equipment.
- To reduce the risk of electrical shock, do not use the robotic cleaner or control unit if the cord is worn or damaged. Immediately contact Zodiac Customer Care Service for proper servicing and replacement of the damaged cord: Australia 1300 762 021, South Africa 0860 887 665.
- Double insulation—For continued protection against possible electric shock, use only identical replacement parts when servicing. Do not attempt repair of the robotic cleaner, control unit, power cord, or floating cable.
- Use only the power supply provided with the product.
- NEVER OPEN CONTROL UNIT.
- DO NOT USE AN EXTENSION CORD TO CONNECT THE UNIT TO ELECTRIC SUPPLY; PROVIDE A PROPERLY LOCATED RCD PROTECTED GFCI RECEPTACLE. THE CONTROL UNIT SHOULD BE PLACED NEAR THE RCD PROTECTED GFCI RECEPTACLE BOX.

##### **PREVENT CHILD INJURY AND DROWNING**

- To reduce the risk of injury, do not permit children or persons with reduced physical, sensory or mental capabilities, or lack of experience and knowledge to operate this product.
- Do not let anyone, especially small children, sit, step, lean, or climb on any equipment installed as part of your pool's operational system.
- Children should be supervised to ensure that they do not play with the appliance.

#### **⚠ CAUTION**

**Failure to comply with the following warnings could cause damage to pool equipment or personal injury.**

- The robotic cleaner must be installed and operated as specified.
- This product is intended for use with permanently-installed pools. Do not use with storable pools. A permanently-installed pool is constructed in or on the ground or in a building such that it cannot be readily disassembled for storage. A storable pool is constructed so that it is capable of being readily disassembled for storage and reassembled to its original integrity.
- Clean the filter canister after each use.
- Do not use the product in your pool if the water temperature is above 35° C (95° F) or below 13° C (55° F).

#### **⚠ CAUTION**

##### **USE OF THE ZODIAC ROBOTIC CLEANER IN A VINYL LINER POOL**


Certain vinyl liner patterns are particularly susceptible to rapid surface wear or pattern removal caused by objects coming into contact with the vinyl surface, including pool brushes, pool toys, floats, fountains, chlorine dispensers, and automatic pool cleaners. Some vinyl liner patterns can be seriously scratched or abraded simply by rubbing the surface with a pool brush. Ink from the pattern can also rub off during the installation process or when it comes into contact with objects in the pool. Zodiac Pool Systems, Inc., is not responsible for, and the Limited Warranty does not cover, pattern removal, abrasion or markings on vinyl liners.

## SAVE THESE INSTRUCTIONS

## Section 2. Getting Started

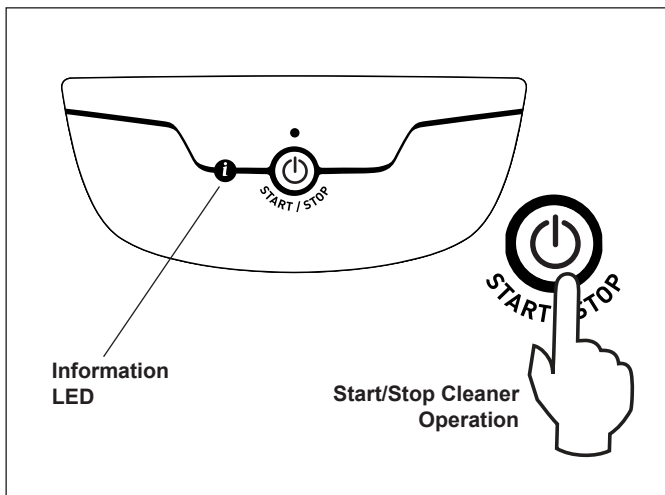
### 2.1 General Specifications

The general specifications for the cleaner are as follows:

<b>Control box supply voltage</b> 	100-240 VAC, 50/60 Hz; short circuit-proof safety isolating type
<b>Supply voltage</b>	30 V DC
<b>Installed load</b>	100 W max
<b>Max Total Depth</b>	4m
<b>Cable length</b>	16.5m
<b>Cleaner size (WxDxH)</b>	37 x 29 x 30 cm
<b>Weight of Cleaner</b>	7 kg
<b>Filtration</b>	All-purpose filter canister

This cleaner is a double-insulated product. A double-insulated electrical appliance is one which has been designed in such a way that it does not require a safety connection to ground. The basic requirement for double-insulation is that no single failure will result in dangerous voltage becoming exposed so that it might cause an electric shock and that this is achieved by having two (2) layers of insulating material surrounding live parts or by using reinforced insulation. Therefore, devices having double-insulated construction, such as this cleaner, do not require a grounded (three-prong) plug.

### 2.3 Cleaner Control Unit



### 2.2 Unpacking

The packaging should contain the following items:

- Zodiac robotic cleaner
- Power cord
- Control unit
- Trolley components (TX35) (please see the Quick Start Guide for trolley assembly instructions)
- Control unit base (TX20, TX30)

When unpacking the cleaner and its components:

- Check to make sure each component is in the box.
- Check cleaner and components for damage during transport.
- If there are missing parts or damage:  
**Australia and New Zealand** please contact Zodiac Customer Care 1300 763 021 or visit [www.zodiac.com.au](http://www.zodiac.com.au).  
**South Africa** please contact Zodiac Customer Care 0860 887 665 or visit [www.zodiac.co.za](http://www.zodiac.co.za)

## 2.4 Connecting to Power Source

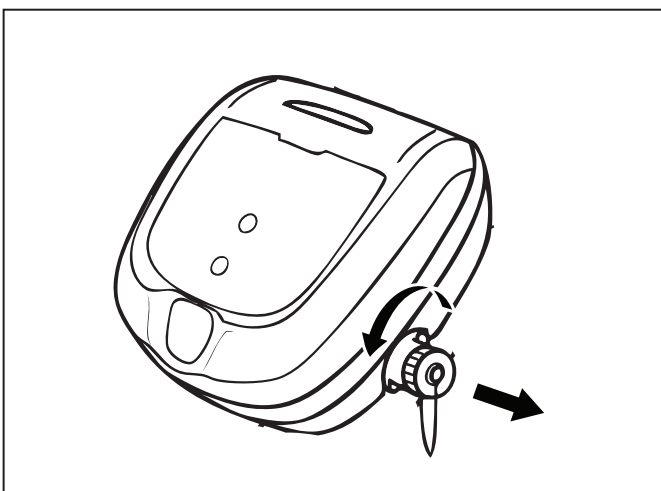
### **⚠ WARNING**

Failure to comply with the following warnings can result in permanent injury, electrocution or drowning.

#### **PREVENT ELECTRICAL SHOCK**

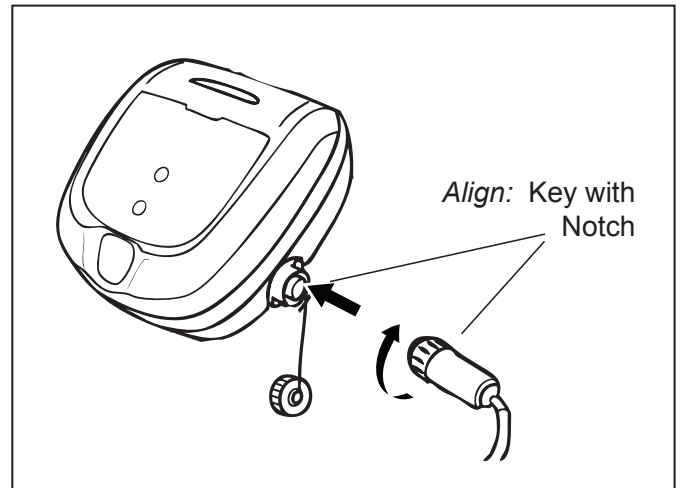
- Keep the control unit at least five 3.5 m from the edge of the pool.
- The cleaner is to be installed in accordance with the relevant requirements of South African wiring rules, or in Australia within requirements of wiring rules AS/NZS 3000. Also refer to the installation instructions relating to the swimming pool equipment for which the cleaner will be an integral part. The cleaner is to be supplied through a Residual Current Device (RCD) with a rated residual operating current of 30mA.
- Do not use an extension cord to connect the control unit.
- Do not allow anyone to swim while the cleaner is in the pool.
- The control unit is water-resistant, not waterproof. In order to prevent electrocution, never submerge the control unit or leave exposed to inclement weather.

1. Unscrew the protective cap for the floating cable from the side of the control unit by turning anti-clockwise (Figure 1).



**Figure 1. Remove Protective Cap**

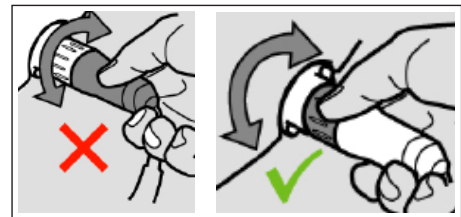
2. Align the notch in the floating cable connector with the key in the control unit, engage then turn clockwise to tighten. (Figure 2.)



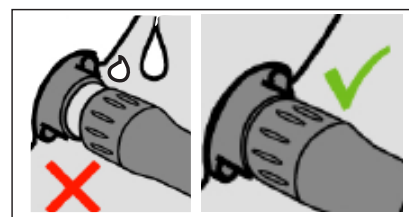
**Figure 2. Connect Floating Cable**

3. Plug the control unit directly into a GFCI outlet. **DO NOT** use an extension cord.

**NOTE:** To avoid damaging the power cable, do not try to twist the entire cable housing (see below).



**NOTE:** To avoid exposing the power cable connector pins to water, be sure the connector is screwed in all the way and there is no gap. (see below).



## Section 3. Operation

### ⚠ CAUTION

To prevent damage to the cleaner, be sure to adhere to the following guidelines:

- Remove the cleaner from the pool after the cleaning cycle is completed and store on the caddy out of direct sunlight or inclement weather.
- Take additional care when lifting the cleaner out of the pool. It becomes heavier when filled with water.
- Always remove the cleaner from pool when super chlorinating or adding acid.
- Do not handle cleaner while it is in operation.

### IMPORTANT

- Always make sure the cleaner head is fully submerged before you begin operation.
- Clean the filter canister after each cleaning cycle.
- Do not leave your cleaner in the pool on a permanent basis.
- At the end of each cycle, remove the cleaner from the pool. Start at the cleaner head and untangle any coils in the cable before storing the cleaner.
- Zodiac recommends only three cleaning cycles per week.

The Zodiac robotic cleaner includes a safety feature that automatically stops the cleaner if it is powered on but not submerged in water. For pools equipped with a beach area, this safety feature is programmed to drive the cleaner in reverse and back into the pool when the impeller is out of the water.

### 3.1 Submerging the Cleaner

1. Submerge cleaner vertically (1) and hold it under the surface, moving gently from side to side (2) until the bubbles stop to remove any air trapped inside (Figure 3).
2. When the bubbles stop, allow the cleaner to sink to the bottom of the pool.
3. Verify the cleaner is sitting on the bottom of the pool. Remove additional air if the cleaner is still floating.

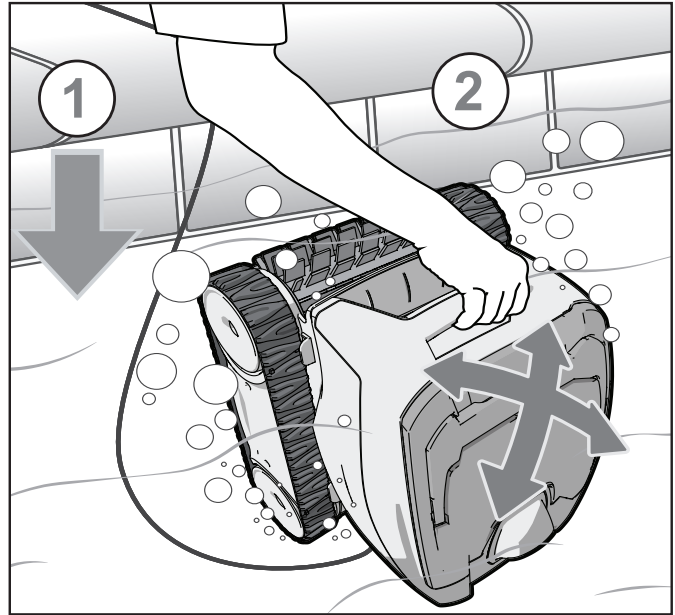


Figure 3. Submerge and Remove Trapped Air

4. Spread the floating cable over the pool, making sure there are no kinks or coils in the cable (Figure 4). Spread all of the floating cable carefully in the pool, ensuring there are no kinks or coils.

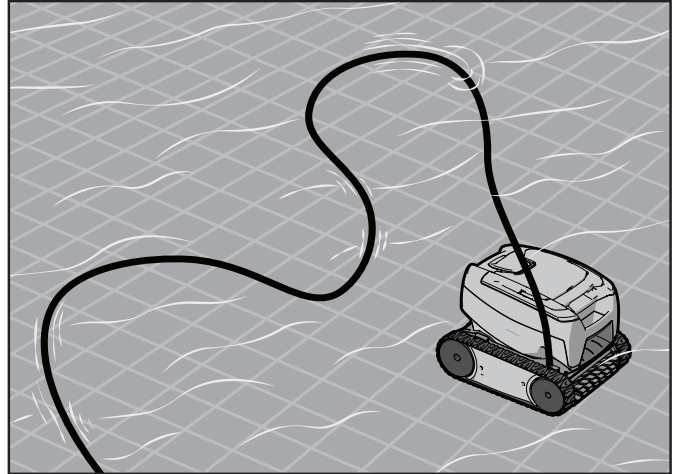


Figure 4. Spread Floating Cable Over the Pool

### 3.2 Running the Cleaner

#### Begin Cleaning:

- Press Start/Stop button to begin operation.



### 3.3 Stopping the Cleaner and Removing from the Pool

1. Press Start/Stop button to interrupt operation.
2. When the cleaner is within arm's reach, use the handle to lift it from the water (Figure 5). Never lift the cleaner out of the pool by the floating cable.

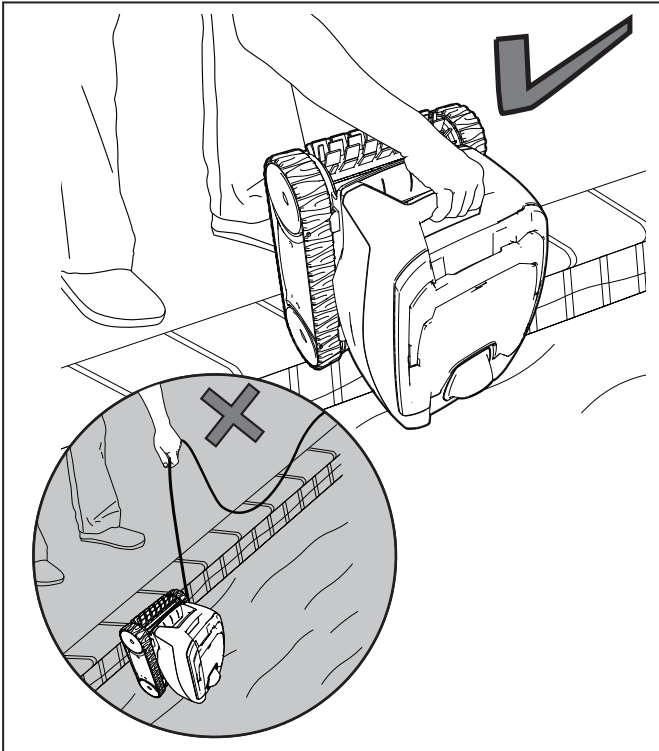


Figure 5. Lift Cleaner From Pool with Handle

3. Hold the cleaner vertically over the pool surface to drain water before removing (Figure 6).

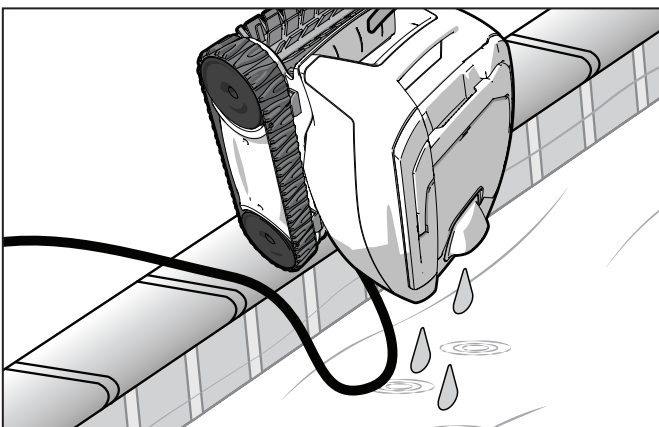


Figure 6. Drain Water from the Cleaner

### 3.4 Rinsing the Cleaner

Rinse the cleaner after every cleaning cycle. Use slightly soapy clean water, then rinse generously with clean water. Do not use solvents such as trichlorethylene or its equivalent. Do not let your cleaner dry in direct sunlight near the pool.

### 3.5 Cleaning the Filter Canister

Empty the canister as soon as the cycle ends.

#### **⚠ WARNING**

To avoid electric shock and other hazards which could result in permanent injury or death, disconnect (unplug) the cleaner from the power source before performing any cleaning and maintenance.

1. Unplug power to the cleaner at the control unit. Turn off power then unplug the control unit from the power source.
2. Release the canister handle by rotating handle upwards (Figure 7).

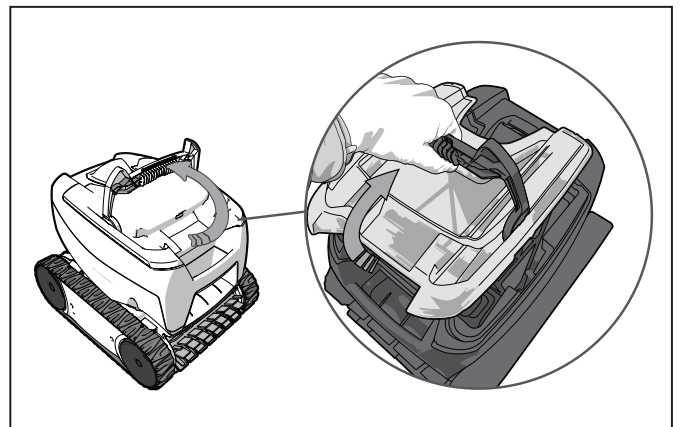
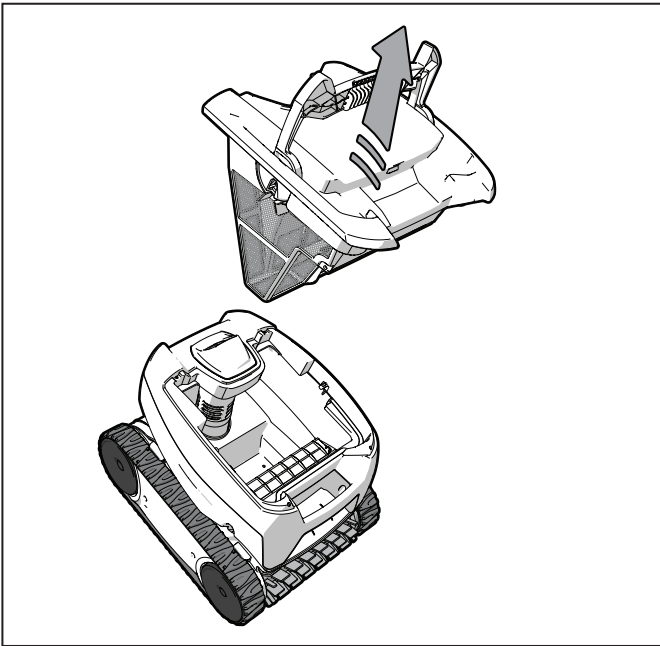


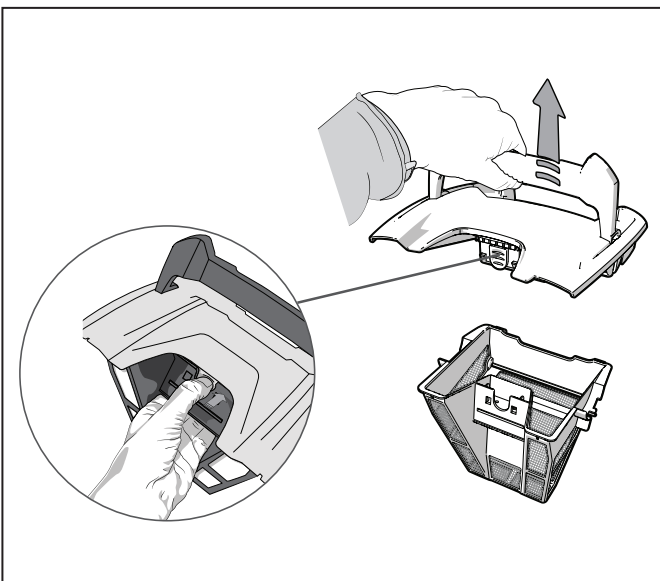
Figure 7. Release Filter Canister Handle

3. Grasp the handle and lift up to remove the filter canister (Figure 8).



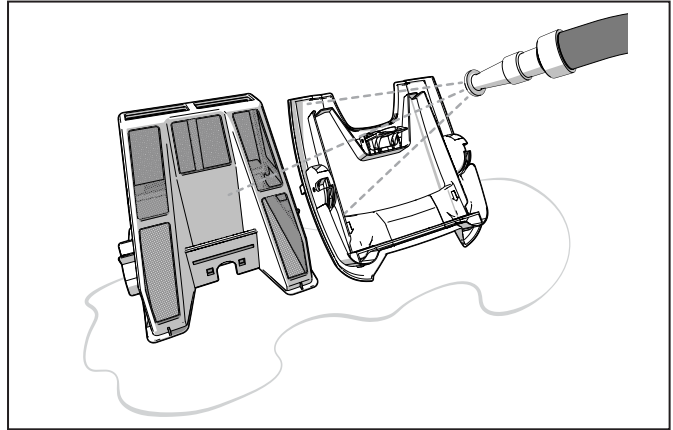
**Figure 8. Remove the Filter Canister**

4. Press the interior latch and remove the filter canister lid. See Figure 9.



**Figure 9. Remove Filter Canister Lid**

5. Using a hose with clean water, rinse the filter canister and lid to remove all debris (Figure 10).



**Figure 10. Rinse the Filter Canister**

6. Let the lid and filter canister dry.
7. Replace lid on the canister and then replace canister back into the cleaner body.
8. Plug the power cord back into the control unit and store the cleaner out of direct sunlight for next use.

### 3.6 Storing the Cleaner

1. Untangle any kinks and coils from the floating cable starting at the cleaner head.
2. Store the cleaner out of direct sunlight.

#### TX35 models:

It is recommended when storing the cleaner for extended periods, use the Zodiac transport caddy. Contact your local Zodiac pool specialist for details.

To store the cleaner on the caddy:

1. Place cleaner in vertical position on the caddy base and clip to hook.
3. Disconnect the cable from the control unit. Replace the protective cap on the control unit.
4. Starting at the cleaner head, remove all coils and tangles from the cable.
5. Loosely coil the power cable starting at the cleaner and moving toward the connection point at control unit. Store the cable by wrapping it around the hook located on the front of the caddy.



## Section 4. Maintenance

### **⚠ WARNING**

To avoid electric shock and other hazards which could result in permanent injury or death, disconnect (unplug) the cleaner from the power source before performing any cleaning and maintenance.

### 4.1 Cord Tangling

### **IMPORTANT**

The power cable may become tangled if correct procedure is not followed after each cleaning cycle.

Do not leave the cleaner unattended for prolonged periods and follow the procedure below to avoid excessive tangling.

#### After every cleaning cycle:

1. Unplug power to the cleaner at the control unit.
2. Remove the cleaner from the pool and untangle all kinks and coils in the floating cable starting at the cleaner head (Figure 13).
3. Plug power cord back into control unit and store cleaner out of direct sunlight for next use.

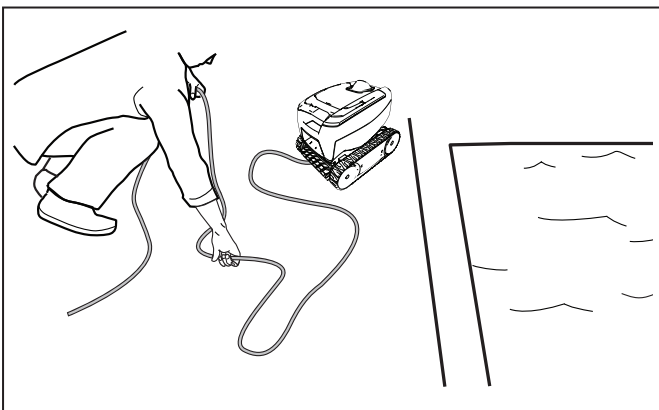


Figure 13. Untangle the Floating Cable

### 4.2 Replacing the Brushes

The cleaner is fitted with a TPE brush in front. There are "wear" indicators (Figure 14) on the brushes. To maintain cleaner performance at its best you need to replace the brush as soon as one of the wear indicators has been reached (even if the blade wear is not even). Zodiac Pool Systems, Inc. recommends that you replace the brush every two (2) years.

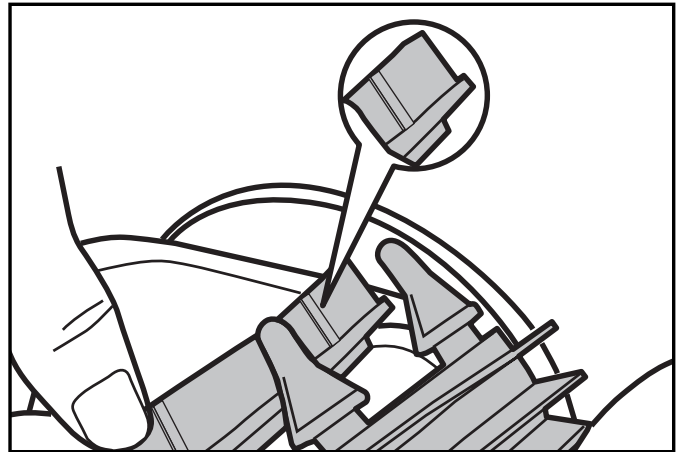


Figure 14. Wear Indicators

1. Separate the edges of the brush, undo the tabs, and remove the worn brush.
2. Position the new brush underneath the roller with the spikes facing downwards. Refer to Figure 15.

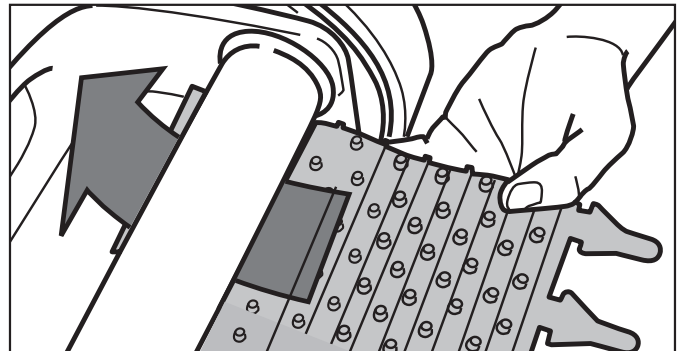


Figure 15. Position the New Brush on Roller

3. Thread each tab into the slot provided and gently feed it through until the heel comes out at the other side of the slot. Refer to Figure 16.

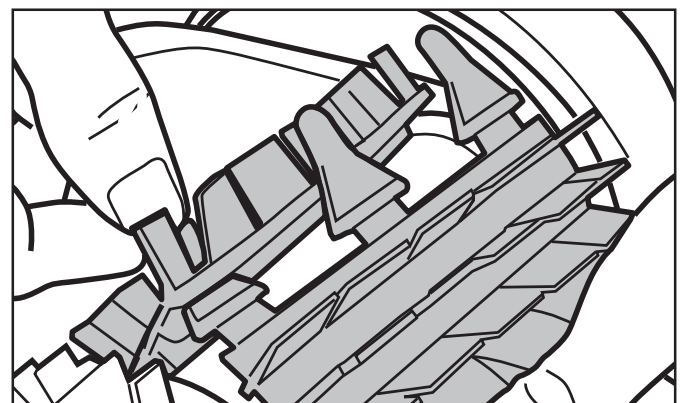


Figure 16. Pull Tabs Through Each Slot

- Use scissors to cut the tabs so they are no higher than the spikes as shown in Figure 17.

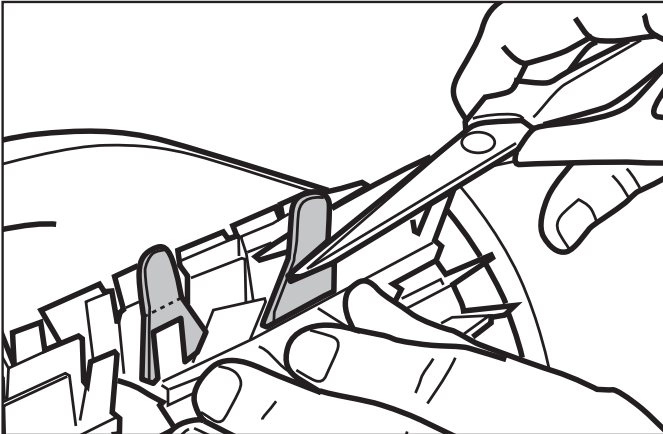


Figure 17. Cut Tabs

### 4.3 Replacing Tracks

- Stand the cleaner on its side (Figure 18).

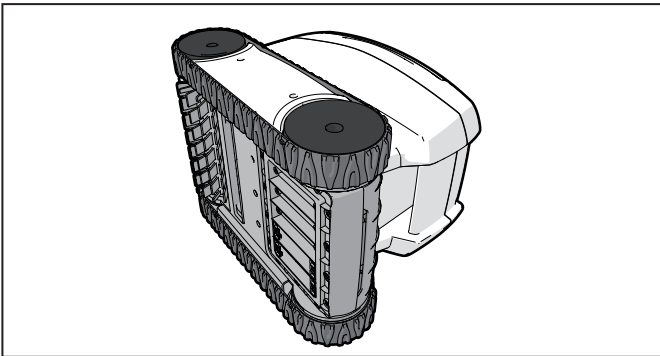


Figure 18. Stand Cleaner on its Side

- Starting at one of the wheels, pull on the inside of the track to separate the tyre lip from the wheel. Remove the track from the cleaner.
- To install a new track, place the inside rib of the track into the groove in the first wheel (Figure 19).

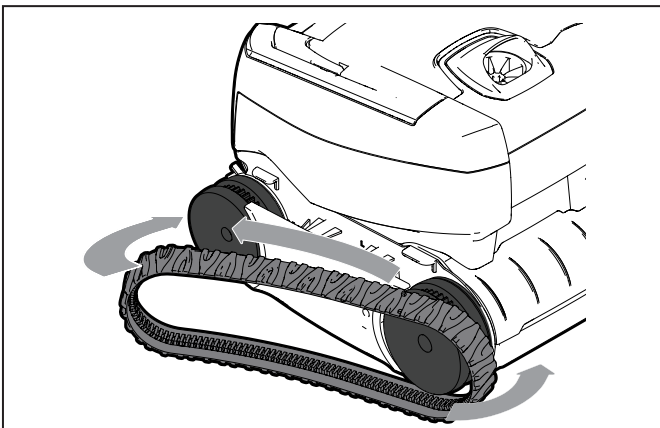


Figure 19. Stretch Track Around Wheels

- Stretch the track around the second wheel, (see Figure 19). Push and position the rib of the track so that the track is seated properly in the groove of the wheel.
- Verify the rib of the track is positioned properly within the groove of each of the two wheels. If necessary, turn the wheels gently to seat track.

## Section 5. Troubleshooting

### 5.1 Using the Information LED

The information LED (i) on the control unit flashes in a specific sequence to indicate one of three possible cleaner malfunctions.

LED Flashing	Solution
<b>1 Flash</b> LED flashes once with one second interval.	Unplug the floating cable from the control unit and reconnect. If the problem persists, contact Zodiac Customer Care: 1300 763 021 (Australia) or 0860 887 665 (South Africa).
<b>2 Flashes</b> LED flashes twice with one second interval	Turn cleaner wheels to ensure they are not jammed. Check brushes for debris. Start a new cleaning cycle. If the problem persists, contact Zodiac Customer Care: 1300 763 021 (Australia) or 0860 887 665 (South Africa).
<b>3 Flashes</b> LED flashes three times with one second interval	Check the pump axis for debris. Check propellor for debris. Clean the filter. Start a new cleaning cycle. If the problem persists, contact Zodiac Customer Care: 1300 763 021 (Australia) or 0860 887 665 (South Africa) .

### General Troubleshooting

The following table lists some of the common symptoms, causes, and solutions for correcting cleaner operation problems.

Problem	Cause	Solution
The Information LED flashes just after start (either pressing Power or Cycle button for less than 20 seconds).	Floating cable may not be plugged into the control unit correctly.	Unplug floating cable from the control unit and reconnect.
	Cleaner may not be fully submerged.	Remove cleaner from the pool and re-submerge, see <i>Submerging the Cleaner</i> .
	Propellor may be jammed and not turning correctly.	Contact Zodiac Customer Care: 1300 763 021 (Australia) or 0860 887 665 (South Africa).
	Wheels may be jammed and not turning correctly.	Contact Zodiac Customer Care: 1300 763 021 (Australia) or 0860 887 665 (South Africa).
The Information LED flashes during the cleaning cycle.	Cleaner may be sucking air (lights will appear after 60 seconds air intake)	Remove cleaner from the pool and re-submerge, see <i>Submerging the Cleaner</i> .
The cleaner does not stay firmly on the pool bottom.	There is air in the appliance casing.	Remove cleaner from the pool and re-submerge, see <i>Submerging the Cleaner</i> .
	The filter canister is full or dirty.	Clean the filter canister, see <i>Cleaning the Filter Canister</i> .
The cleaner does not or no longer climbs the pool walls (TX30 and TX35).	The filter canister is full or dirty.	Clean the filter canister, see <i>Cleaning the Filter Canister</i> .
	Walls of pool are slippery or slimy Although the water seems clear, microscopic algae, invisible to the human eye, may be present in the pool. As a result the pool sides become slippery and prevent the cleaner from climbing. Check tracks for wear and replace as necessary.	Do a shock chlorination treatment to reduce the pH levels in the pool. DO NOT leave the cleaner in the pool during this treatment.
On startup the cleaner does not move.	No power supply to the cleaner.	Check that the outlet to which the control unit is connected is receiving electricity.
	Unit is turned OFF.	Turn the tracks then disconnect the control unit and wait at least 20 seconds before reconnecting. If the problem persists, contact Zodiac Customer Care: 1300 763 021 (Australia) or 0860 887 665 (South Africa).
Cable is tangling in the pool	Too much cable length in the water.	Verify the floating cable enters the water near the middle of the pool length, see <i>Cord Tangling</i> . Spread all of the floating cable carefully in the pool, ensuring there are no kinks or coils
The cleaner is not cleaning effectively.	The brushes have become smooth or the "wear" indicator shows.	Replace the brushes following the procedure in <i>Replacing the Brushes</i> .
	Filter canister is full or dirty.	Clean the filter canister following the procedure in <i>Cleaning the Filter Canister</i> .
	Floating cable is excessively coiled or kinked.	Make sure the floating cable is spread out over the pool. Ensure the cable is not too tightly wrapped or coiled when storing. If the problem persists, lay the cable straight in the sun to relax it and remove kinks. Follow the procedure in <i>Cord Tangling</i> to avoid and correct tangled cord.
	Tyre track is coming off the wheels	Verify track is properly inserted in the wheel groove. If problem persists, replace the tyre track, see <i>Replacing the Track</i> .

**Zodiac Group Australia Pty Ltd.**  
219 Woodpark Road,  
Smithfield NSW 2164, Australia  
1300 763 021 | [www.zodiac.com.au](http://www.zodiac.com.au)

**Zodiac Pool Care South Africa**  
Private Bag X127,  
Halfway House Midrand 1685  
0860 887 665 | [www.zodiac.co.za](http://www.zodiac.co.za)

ZODIAC® is a registered trademark of Zodiac International, S.A.S.U, used under license.  
All other trademarks used herein are the property of their respective owners.

©2017 Zodiac Pool Systems, Inc. H0585900 Rev A

