

POOL PUMPS

Aquamite

The Aquamite is an ideal pump for swimming pools and small recirculation systems including ponds and small water features.

Supastream

Supastream pumps are general purpose units designed for use in swimming pools and low pressure water recirculation applications.

Supatuf

The Supatuf pump is ideal for large domestic swimming pools with ancillary systems such as heating, in-floor cleaning, fountains, vacuum cleaning and swim jets.



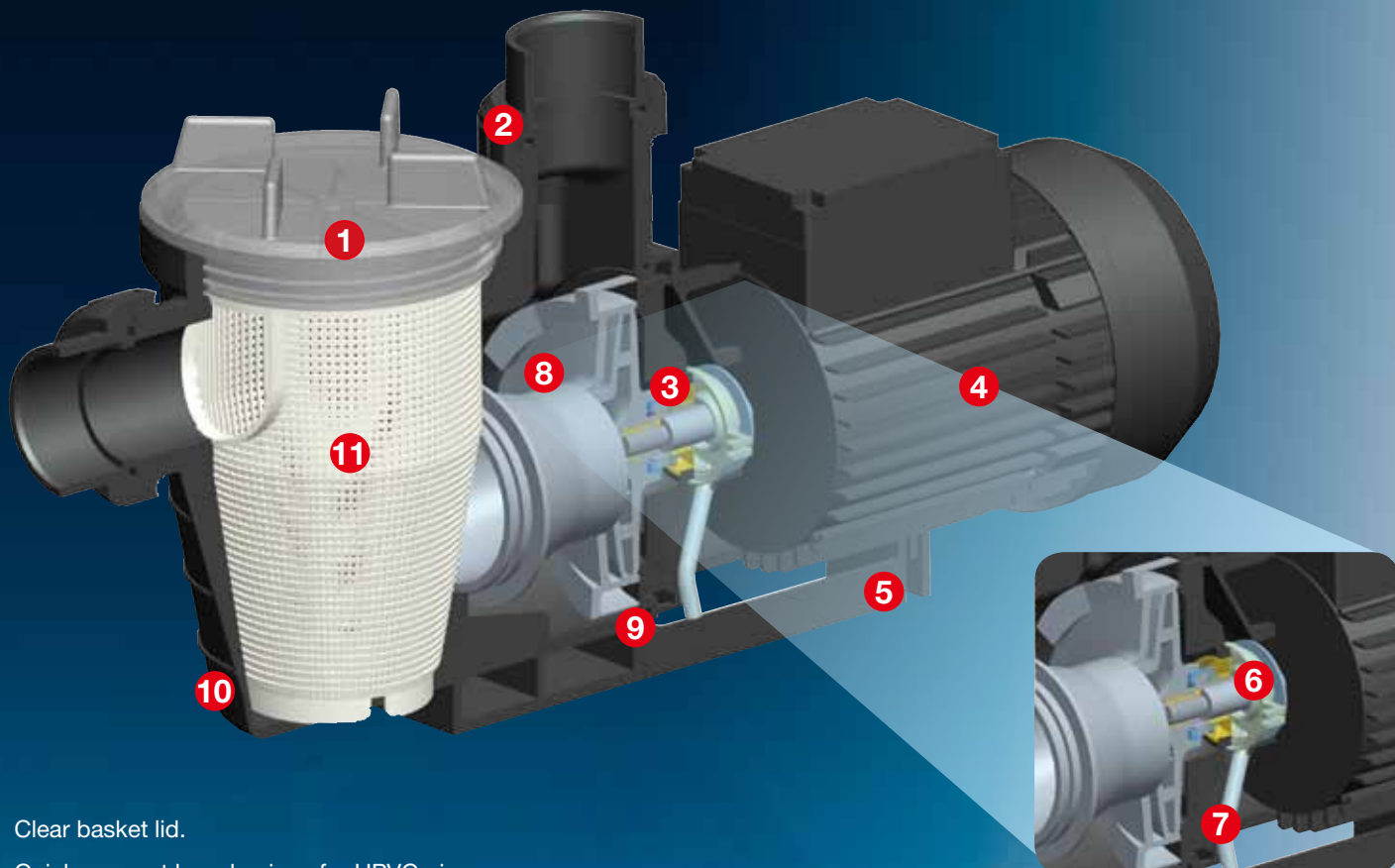
Efficient Impeller and Diffuser Design

The pump's impeller and diffuser design maximizes the hydraulic output of the pump while minimizing turbulence. The pump's efficient hydraulic performance shortens run times and reduces energy consumption leading to lower operating costs.

Engineered Durability

The pump body is manufactured utilising state of the art engineering plastic moulding with a single piece strainer pot and volute for extra strength.

A high grade 316 stainless steel mechanical seal is incorporated for extra protection against corrosion. e.g. from chlorinated water, ozone, iodine, Baquacil, bromine and salt water.



1. Clear basket lid.
2. Quick connect barrel unions for UPVC pipe.
3. High grade carbon/graphite mechanical seal with 316 stainless steel spring assembly.
4. High performance motor:
 - IP44 rating
 - Motor shaft 303 grade stainless steel.
 - Fan cooled.
 - Thermal overload protection
5. Stable support base.
6. Secondary Seal - For extra protection of the pump motor.
7. Secondary seal drain pipe.
8. Hydraulically efficient impeller and diffuser design.
9. Drain plugs.
10. Strong single piece glass filled thermoplastic pump body.
11. Strainer basket - capture debris and protects the pumps impeller.

Secondary Seal

Situated between the pump wet end & the pump motor, a mechanical seal forms a seal around the motor shaft to prevent water from running out along the shaft of a motor. The mechanical seal is the wearing part of any pool pump.

A mechanical seal may leak water if the pump is ever run dry or simply be worn out. If a leaky mechanical seal is not replaced promptly, water will travel up the shaft of the motor and ruin the motor in a very short period of time.

Waterco's Secondary Seal protects the pump motor's end shield from any water contact, by capturing any leaks through a worn out mechanical seal and draining it out of the pump.

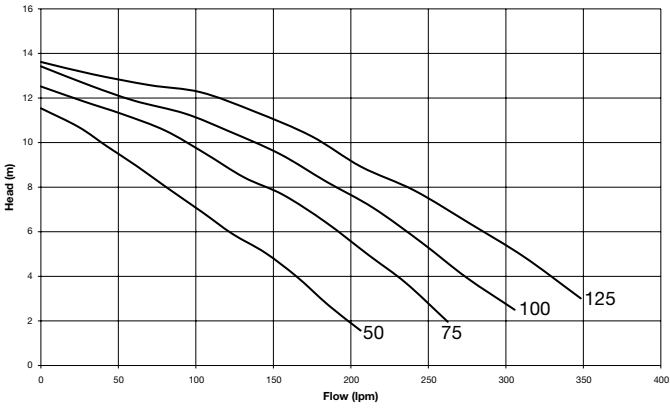
Aquamite

The Aquamite is an ideal pump for swimming pools and small recirculation systems including ponds and small water features.

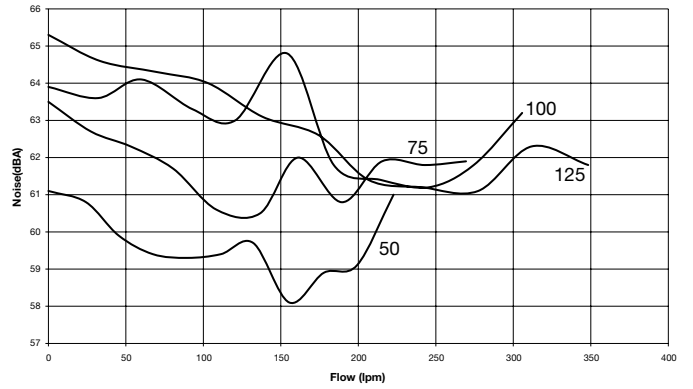


Pump	Inlet / outlet	Strainer basket size
Aquamite	40mm	0.9

Flow Curves

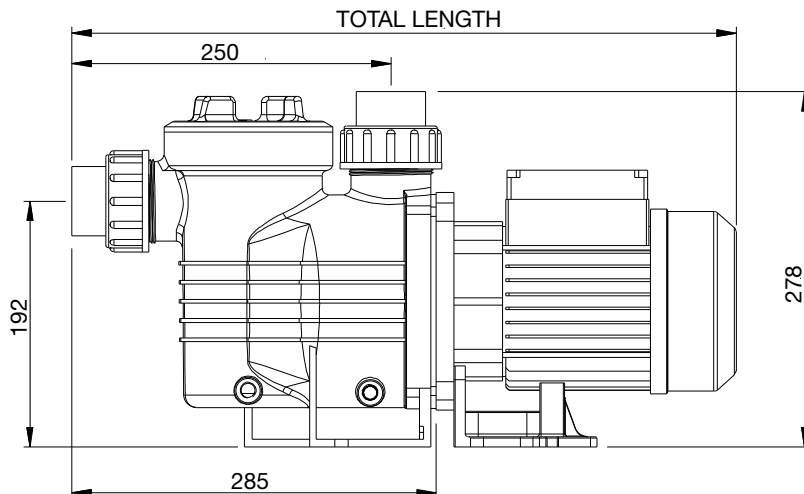


Noise Levels



Model	Flow Rate (lpm)		Nom. HP	kW	Amps	Total Length (mm)	Motor Frame (mm)
	8m	10m					
Aquamite 50	70	40	0.50	0.58	2.50	497	63
Aquamite 75	145	95	0.75	0.65	3.00	497	63
Aquamite 100	190	140	1.00	0.76	3.33	497	63
Aquamite 125	235	185	1.25	0.88	3.90	497	63

Phase	Volts	Cycle	RPM
1	220-240	50	2860



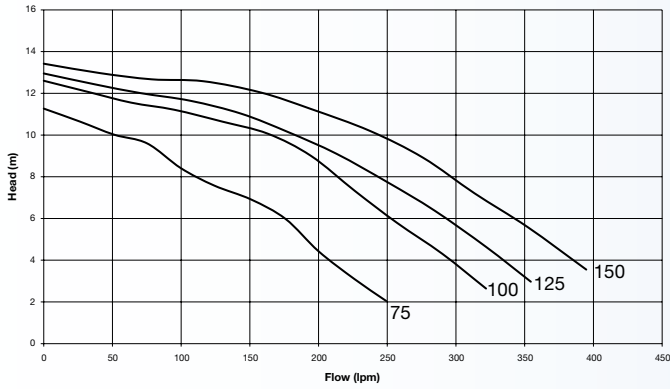
Supastream

Supastream pumps are general purpose units designed for use in swimming pools and low pressure water re-circulation applications.

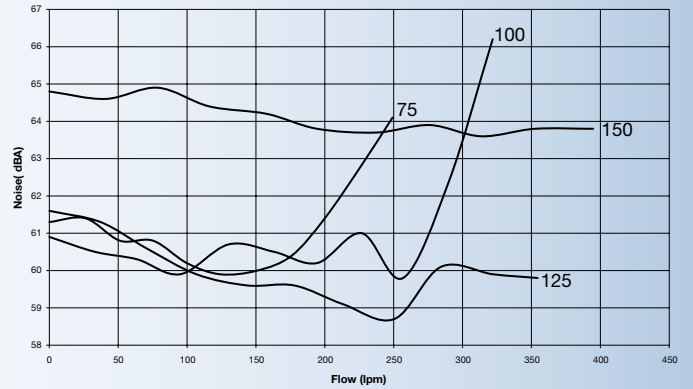


Pump	Inlet / outlet	Strainer basket size
Supastream	40mm	1.5

Flow Curves

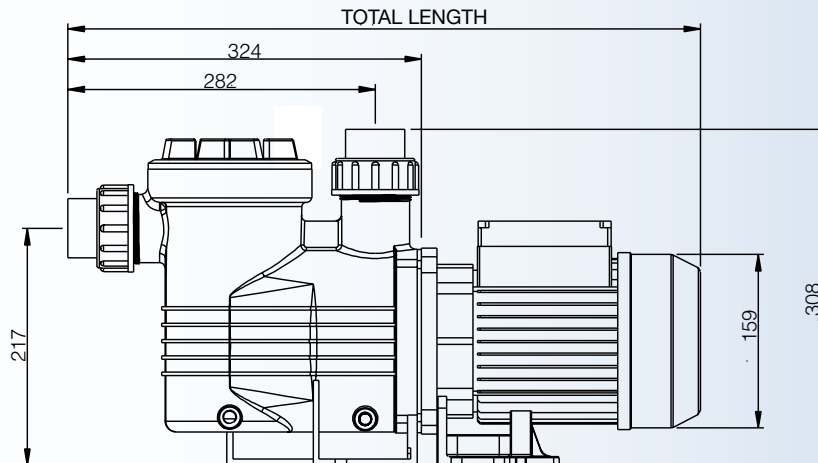


Noise Levels



Model	Flow Rate (lpm)		Nom. HP	kW	Amps	Total Length (mm)	Motor Frame (mm)
	8m	10m					
Supastream 75	110	50	0.75	0.61	2.80	536	63
Supastream 100	215	170	1.00	0.82	3.60	559	71
Supastream 125	245	185	1.25	0.88	3.90	559	71
Supastream 150	295	245	1.50	1.09	4.90	580	83

Phase	Volts	Cycle	RPM
1	220-240	50	2860



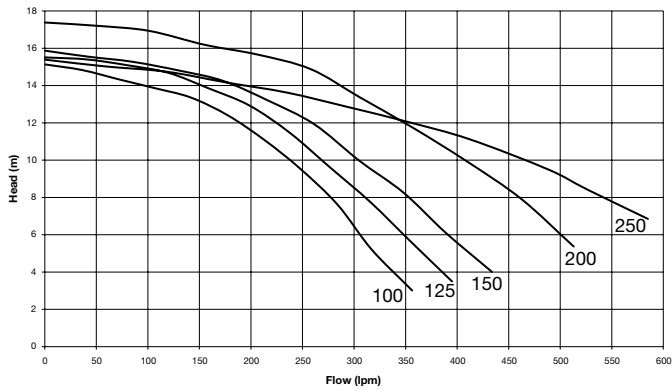
Supatuf

The Supatuf pump is ideal for large domestic swimming pools with ancillary systems such as heating, in-floor cleaning, fountains, vacuum cleaning and swim jets.

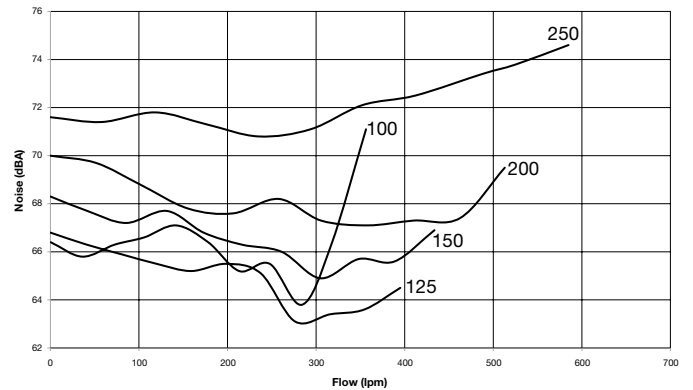


Pump	Inlet / outlet	Strainer basket size
Supatuf	50mm	2.1

Flow Curves

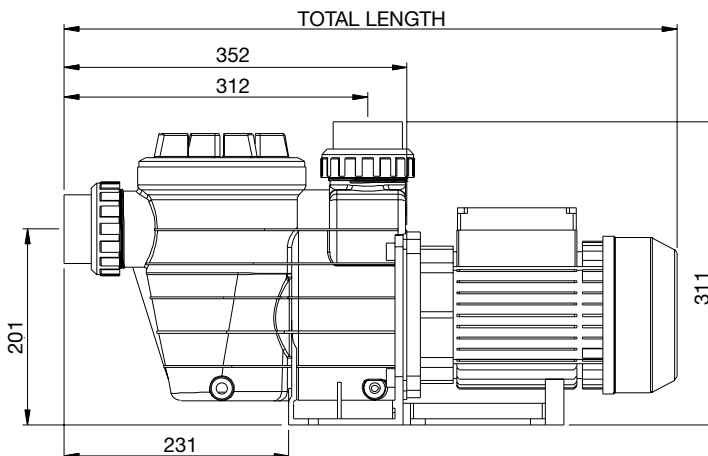


Noise Levels



Model	Flow Rate (lpm)		Nom. HP	kW	Amps	Total Length (mm)	Motor Frame (mm)
	8m	10m					
Supatuf 100	275	240	1.00	0.84	3.70	587	71
Supatuf 125	310	270	1.25	0.96	4.20	587	71
Supatuf 150	355	305	1.50	1.15	5.30	608	80
Supatuf 200	465	410	2.00	1.50	7.20	629	80
Supatuf 250	545	470	2.50	1.81	8.50	653	90

Phase	Volts	Cycle	RPM
1	220-240	50	2860



Warranty

Pumps	3 years (conditional)*
Wet End	3 years
Motor, mechanical seal, hair & lint pot lid, o'ring, basket, impeller & diffuser	2 years
Commercial applications	1 year
Labour	1 year

Note: Waterco Pumps are tested to Australian Standards AS/NZS3136.



Established since 1981, Waterco is an Australian public listed company involved in the manufacture and distribution of:

- Swimming pool/spa equipment and chemicals
- Domestic water filters, softeners and purifiers
- Commercial and Industrial water treatment equipment.

Waterco's research & development team has created an innovative range of award winning products.

The company's advanced fibreglass winding and pioneering plastic moulding techniques have delivered premium quality products to over 40 countries via its branches operating in Australia, New Zealand, Malaysia, China, the United Kingdom, United States of America, Canada, Indonesia and Singapore.



OFFICES - AUSTRALIA

NSW - Sydney (Head Office)
Tel: +61 2 9898 8600

QLD - Brisbane
Tel: +61 7 3299 9900

VIC/TAS - Melbourne
Tel: +61 3 9764 1211

WA - Perth
Tel: +61 8 9273 1900

SA/NT - Adelaide
Tel: +61 8 8244 6000

ACT Distribution
Tel: +61 2 6280 6476

OFFICES - OVERSEAS

Waterco (Europe) Limited
Sittingbourne, Kent, UK
Tel: +44 (0) 1795 521 733

Waterco (USA) Inc
Augusta, Georgia, USA
Tel: +1 706 793 7291

Waterco Canada
St Hyacinthe, Quebec, Canada
Tel: +1 450 796 1421

Waterco (NZ) Limited
Auckland, New Zealand
Tel: +64 9 525 7570

Waterco (C) Limited
Guangzhou, China
Tel: +86 20 3222 2180

Waterco (Far East) Sdn Bhd
Selangor, Malaysia
Tel: +60 3 6145 6000

PT Waterco Indonesia
Jakarta, Indonesia
Tel: +62 21 4585 1481

Waterco Singapore Intl Pte Ltd
Nehsons Building, Singapore
Tel: +65 6344 2378

Waterco France
SAINT PRIEST, France.
Tel: +33 4 72 79 33 30

DISTRIBUTED BY:



ZZB1267 03/12