

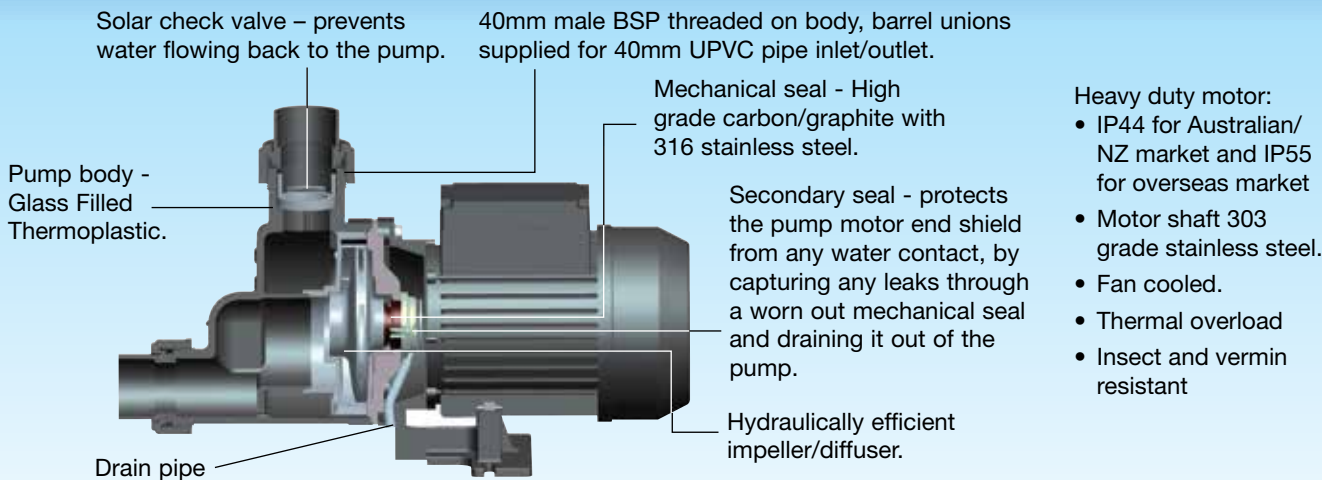
AQUASTREAM SOLAR PUMPS

Efficient water circulation

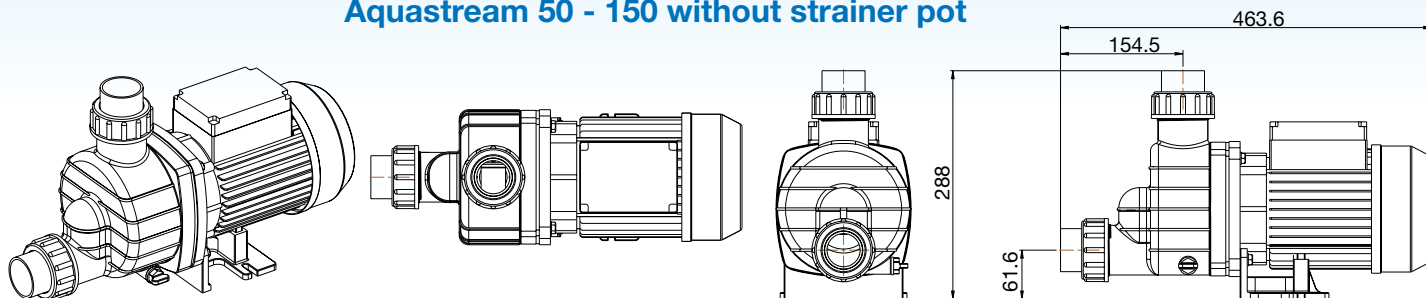
Simple to operate and easy to maintain, the Aquastream solar pump is well known for its quietness and reliability.

Aquastream solar pumps incorporate essential features required to make them compatible with solar pool heating systems.



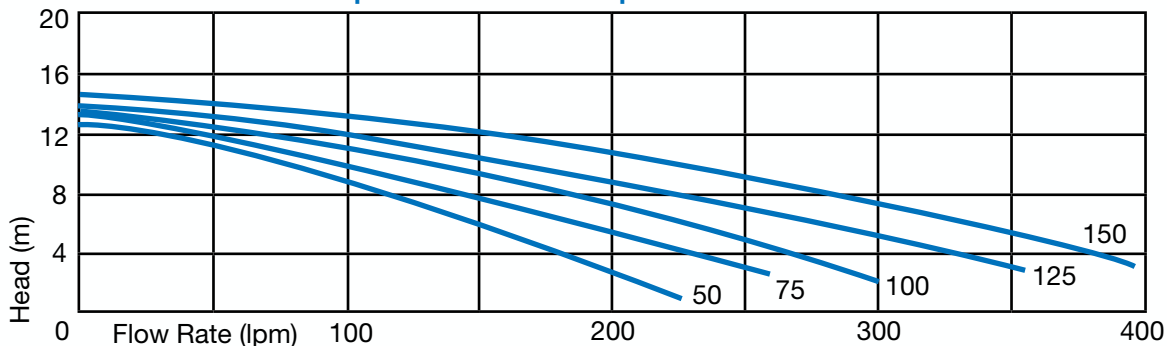


Aquastream 50 - 150 without strainer pot



Model	Nominal HP	kw	Amps	Phase	Volts	Cycle	RPM
Aquastream Solar 50	0.5	0.58	2.5	1	220 - 240	50	22860
Aquastream Solar 75	0.75	0.65	3.0	1	220	50	22860
Aquastream Solar 100	1.00	0.76	3.33	1	220	50	22860
Aquastream Solar 125	1.25	0.88	3.9	1	220	50	22860
Aquastream Solar 150	1.50	1.15	5.0	1	220	50	22860

Aquastream Solar Pump Performance Chart



Warranty

Pumps	3 years (conditional)*
Wet End	3 years
Motor, mechanical seal, hair & lint pot lid, o'ring, basket, impeller & diffuser	2 years
Commercial applications	1 year
Labour	1 year

OFFICES - AUSTRALIA

NSW - Sydney (Head Office)
Tel: +61 2 9898 8600
QLD - Brisbane
Tel: +61 7 3299 9900
VIC/TAS - Melbourne
Tel: +61 3 9764 1211
WA - Perth
Tel: +61 8 9273 1900
SA/NT - Adelaide
Tel: +61 8 8244 6000
ACT Distribution
Tel: +61 2 6280 6476

OFFICES - OVERSEAS

Waterco (Europe) Limited
Sittingbourne, Kent, UK
Tel: +44 (0) 1795 521 733
Waterco (USA) Inc
Augusta, Georgia, USA
Tel: +1 706 793 7291
Waterco Canada
Longueuil, Quebec, Canada
Tel: +1 450 748 1421
Waterco (NZ) Limited
Auckland, New Zealand
Tel: +64 9 525 7570

Waterco (C) Limited
Guangzhou, China
Tel: +86 20 3222 2180

Waterco (Far East) Sdn Bhd
Selangor, Malaysia
Tel: +60 3 6145 6000

PT Waterco Indonesia
Jakarta, Indonesia
Tel: +62 21 4585 1481

Waterco Singapore Int'l Pte Ltd
Nehsons Building, Singapore
Tel: +65 6344 2378

Waterco France
SAINT PRIEST, France.
Tel: +33 4 72 79 33 30

DISTRIBUTED BY:

WATERCO
water, the liquid of life

