

25 Nov 2020

EV05/EV06IM (Nobrand)(GB)

size: W297 x L420mm

Material: 100gsm art paper (上光紙 / 粉紙)

Finishing: - -

Printing: 1C (black)

(Back)

(Front)

How to remove the battery pack

Recommended tools (not included): Philips screwdriver and small slot screwdriver

1. Turn to release the canopy and take out the filter bag / filter cage. Use a small slot screwdriver to detach the ring from the handle. If it is too difficult to detach the ring with a screwdriver, use a cutting plier to cut. Turn the switching knob to open the charging port. Use the small slot screwdriver to pry and detach the middle cover from the switching knob. Use the Philips screwdriver to unfasten the knob-locking screw.

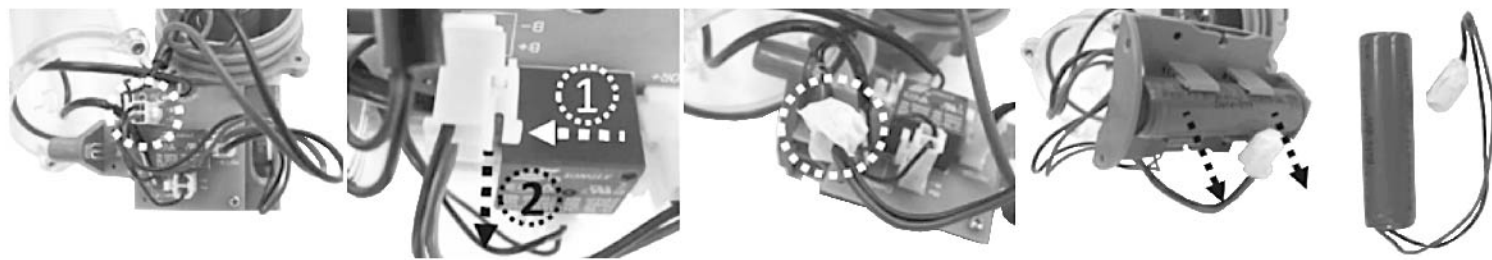


2. Detach the switching knob and use the Philips screwdriver to unscrew all the screws on the main body. Separate the body in two halves to access the main chamber.

3. Use the Philips screwdriver to unfasten the screws. Remove the top half of the chamber to expose the battery enclosure.



4. Remove the complete battery enclosure (with battery installed) from the chamber. In order to detach the battery cable, press on the clip on the connector and pull the cable out. Wrap the connector immediately with insulating tape in order to avoid short circuit caused by the contact of both wire terminals.



TROUBLESHOOTING

Table with 3 columns: Problem, Possible Cause, Solution. Includes issues like 'Electric vacuum does not capture the debris', 'Debris escapes from the filter', and 'Pivoting suction head does not move smoothly'.

Environmental Programmes, WEEE European Directive. Includes CE mark and recycling information.

SAVE THESE INSTRUCTIONS. Includes contact information for customer service and manufacturer details.

RECHARGEABLE POOL VACUUM

USER MANUAL

EV05 / EV06  
Made in China



SAFETY WARNINGS & INSTRUCTIONS

Read and follow all instructions in this manual and on the equipment. Failure to do so could result in severe or fatal injuries.

SAVE THESE INSTRUCTIONS

WARNING!

- This is not a TOY. Children should be kept out of reach from this electric vacuum and its accessories.
- Never allow children to operate this product.
- This electric vacuum is not intended for use by someone with reduced physical, sensory or mental capabilities...

CAUTION!

- DO NOT attempt to use the electric vacuum to clean anything other than your pool / spa.
- Use only original accessories delivered with this product.
- DO NOT use this electric vacuum right after pool-shocking. It is recommended to leave the pool circulating for at least 24-48 hours.

25 Nov 2020

EV05/EV06IM (Nobrand)(GB)

size: W297 x L420mm

Material: 100gsm art paper (上光紙 / 粉紙)

Finishing: - -

Printing: 1C (black)

(Inside 1)

(Inside 2)

GETTING STARTED

IMPORTANT NOTE: Fully charge the electric vacuum before using it for the first time.

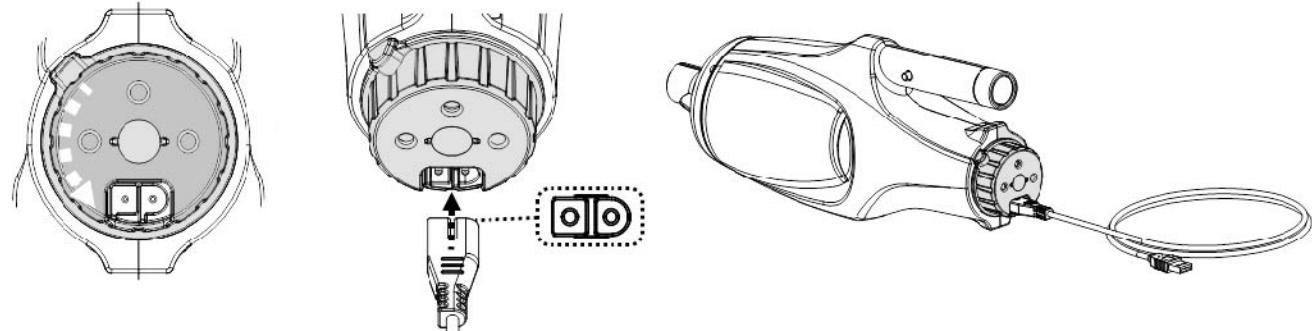
Charging the battery

NOTE: It requires a USB charging adaptor (not provided) with a safety output of 5.0V DC and 1.0A. For EU market, a CE-certificated USB charging adaptor shall be used.

WARNING!

- Do not use the USB charging cable / USB charging adaptor if any damage is detected.
- Make sure both the electric vacuum and the charging port are clean and dry before charging them.

1. Place the unit on a flat surface. Turn the switching knob anticlockwise until it stops and completely exposes the charging port. Align and insert the USB charging cable into the charging port.



2. Connect the USB charging cable to the charging adaptor, then plug the charging adaptor to the power source.

NOTE

- Charge the electric vacuum completely (about 7-8 hours) before using it for the first time.
- Always disconnect the USB charging adaptor from the power source as soon as charging is complete.

1. Connect the USB charging adaptor to the power source. Once the electric vacuum begins charging, the indicator light at the end of the vacuum will turn red. Normally, it takes about 4.5 - 6 hours to reach a full charge.

2. When charging is complete, disconnect the charging adaptor from the power source and unplug the USB cable from the adaptor and electric vacuum.

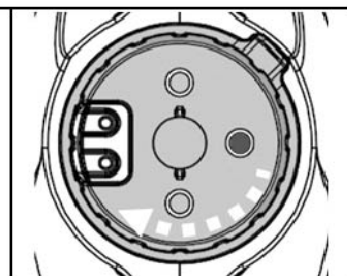
Normally, the electric vacuum can operate up to 30 minutes on a full charge (after 4.5-6 hours of charging). Note: Clean the filter regularly. Excessive debris inside the filter will increase burden to the motor operation and shorten the operating duration as a result.

NOTE: Rechargeable lithium-ion battery is classified as a consumable item. It has a limited life and will gradually lose its capacity to hold a charge. Therefore, the running time of the electric vacuum will gradually reduce after repeated charging and discharging throughout its product life.

NOTE: Let the electric vacuum rest for 30 to 40 minutes before charging it again.

OPERATION

Before immersing the electric vacuum in water, turn the switching knob clockwise until it comes to a halt (you will hear a 'click') to expose the two water-sensing pins and a green dot on the right side.



NOTE: Never attempt to make contact with both pins with anything other than clean water.

CAUTION

- DO NOT cover the side slot (middle gap) of the electric vacuum during operation, the impeller / motor may be damaged otherwise.
- Remove the electric vacuum from the pool/spa as soon as cleaning is complete.

CAUTION! Make sure the electric vacuum is always pointing downwards when it is placed into the pool. Otherwise, the pole connector may be bent and damaged as a result.

To retrieve the electric vacuum from the pool / spa, lift the electric vacuum while pointing it downwards in order to allow water to discharge.

Rinse the electric vacuum with fresh water after every use. DO NOT use any detergent.

EMPTYING THE FILTER

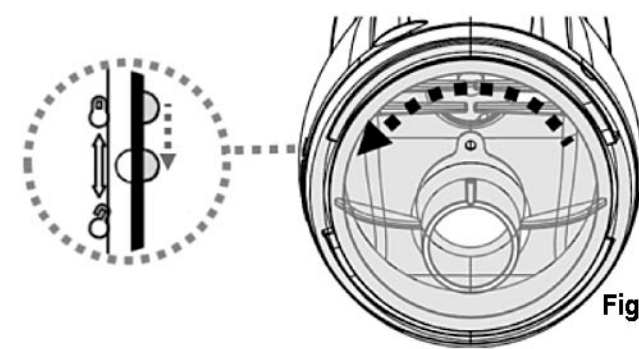
WARNING! Using the electric vacuum without a filter bag / filter cage in place will VOID your warranty.

In order to maximize the cleaning efficiency of the cleaner, be sure to clean the filter bag/ filter cage before and after each use.

CAUTION! If the electric vacuum is charging, disconnect the USB charging adaptor from the power source and detach the electric vacuum from the USB charging cable before making any attempts to clean it.

Emptying filter bag / filter cage

- 1. Place the electric vacuum on a stable surface.
2. Hold the electric vacuum body and turn the canopy anticlockwise until the white marking on the canopy reaches the lock-unlock marking. (Fig.1) Detach the canopy and remove the filter bag / filter cage from the electric vacuum



CAUTION! Replace a damaged filter bag / filter cage with a new one before initiating the next operation.

- 3. Clean out the debris and rinse the filter bag / filter cage with water. If brushing is deemed necessary, use only a soft brush to clean it gently and carefully.
4. Replace the filter bag / filter cage inside the electric vacuum. Reverse the steps to align and attach the canopy to electric vacuum and turn the canopy anticlockwise until it comes to a halt.

MAINTENANCE & STORAGE

NOTE:

- 1. Battery discharges on its own during storage. The battery should be stored at room temperature, charged to about 30% to 50% of its capacity.
2. You must recharge the battery at least once every three months if it is not frequently used.

WARNING!

- Under no circumstances should you attempt to disassemble the electric vacuum and replace the impeller, motor and battery by yourself.

CAUTION!

- Excessive heat can damage the battery and reduce the lifespan of your electric vacuum as a result.
- Consult your dealer regarding battery replacement if the following happens:
- Battery appears damaged or will not charge fully.

BATTERY DISPOSAL

Your electric vacuum's battery is a maintenance-free, rechargeable lithium-ion battery pack, which must be disposed properly. Recycling is required; please contact your local authorities for more information.

WARNING!

- Never attempt to disassemble a battery pack
- Be sure to remove all personal items such as rings, bracelets, necklaces, and watches before you unwire the battery pack from the electric vacuum.

CAUTION!

If a battery leak occurs, avoid contact with the leaking fluids and place the damaged battery in a plastic bag. If leaking fluids come in contact with skin and clothing, wash immediately with plenty of soap and running water.