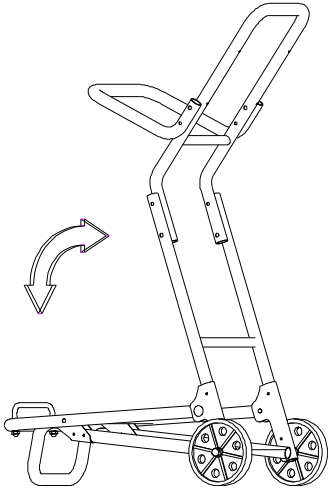


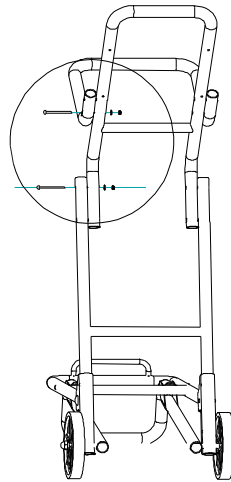
User Manual

Before using the pool cleaner, please ensure your caddy is assembled correctly:

Step 1: Unfold the base of the caddy.



Step 2: Lock the bracket for holding the floating cable and handle in position with the bolts, washers, and nuts provided.



Step 3: Attach the power box to the caddy with the 4 screws.

