



BAKER HYDRO

VESTA PUMPS

Vesta pumps are ideal for large domestic swimming pools with ancillary systems such as heating, in-floor cleaning, fountains, vacuum cleaning and swim jets.

Efficient Design

The Vesta's hydraulic design maximizes the output of the pump while minimizing turbulence. The pump's efficient performance shortens run times and reduces energy consumption.

Engineered Durability

Vesta's pump body is manufactured utilising state of the art engineering plastic moulding with a single piece strainer pot and volute for extra strength.



VESTA



1. Clear basket lid - easy visual inspection.
2. 50mm quick connect barrel unions for UPVC pipe.
3. High grade carbon/graphite mechanical seal with 316 stainless steel spring assembly.
4. High performance motor:
 - Fan cooled.
 - Thermal overload protection
5. Stable support base.
6. Secondary seal - for extra protection.
7. Secondary seal drain pipe.
8. Hydraulically efficient impeller and diffuser design.
9. Drain plugs.
10. Strong single piece glass filled thermoplastic pump body.
11. 2.1 litre strainer basket - capture debris and protects the pump's impeller.

Patented Secondary Seal

Situated between the pump's wet end and motor, a mechanical seal forms a seal around the motor shaft to prevent water from running out along the motor's shaft. The mechanical seal is the wearing part of any pool pump.

A mechanical seal may leak water if the pump is ever run dry or simply worn out. If a leaking mechanical seal is not replaced promptly, water will travel along the motor's shaft and ruin the motor in a very short period of time.

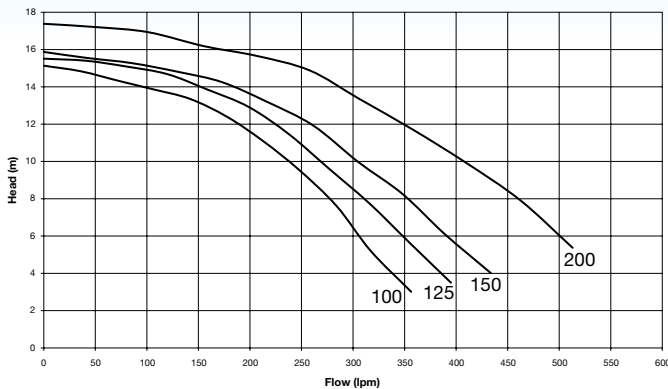
Vesta's Secondary Seal protects the pump motor's end shield from any water contact, by capturing any leaks and draining it out of the pump.

Specifications

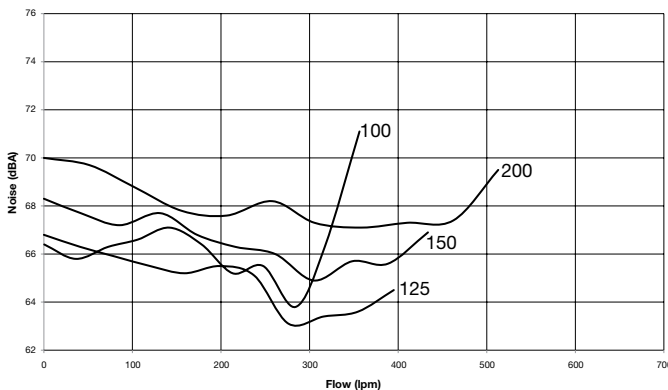
Model	Flow Rate (lpm)		Nom. HP	kW	Amps	Total Length (mm)	Motor Frame (mm)
	8m	10m					
Vesta 100	275	240	1.00	0.84	3.70	587	71
Vesta 125	310	270	1.25	0.96	4.20	587	71
Vesta 150	355	305	1.50	1.15	5.30	608	80
Vesta 200	465	410	2.00	1.50	7.20	629	80

Phase	Volts	Cycle	RPM
1	220-240	50	2860

Flow Curves

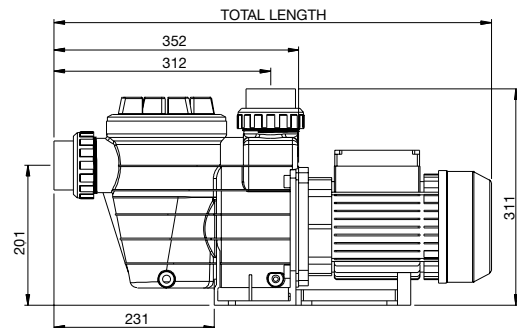


Noise Levels



Note: Baker Hydro Pumps are tested to Australian Standards AS/NZS3136.

Dimension



Warranty

Pumps	3 years (conditional)*
Wet End	3 years
Motor, mechanical seal, hair & lint pot lid, o'ring, basket, impeller & diffuser	2 years
Commercial applications	1 year
Labour	1 year



The LEADER In Filtration and
Water Treatment For Over 50 Years

www.bakerhydro.com

NSW
Sydney (Head Office)
Tel: (02) 9898 8686
Fax: (02) 9898 1754

QLD
Brisbane
Tel: (07) 3299 9900
Fax: (07) 3299 9911

VIC/TAS
Melbourne
Tel: (03) 9764 1211
Fax: (03) 9764 0577

WA
Perth
Tel: (08) 9273 1900
Fax: (08) 9273 1999

SA / NT
Adelaide
Tel: (08) 8244 6000
Fax: (08) 8244 6011

Waterco (NZ)
Auckland
Tel: (09) 525 7570
Fax: (09) 525 6580