

ASTRALPOOL



AUSTRALIAN
DESIGNED & MADE

FX-SERIES

POOL & SPA PUMP

No hair or lint pot

Whisper quiet operation

Ideal as a 'booster pump'

Flooded suction applications



FX POOL & SPA PUMP

In line with AstralPool's policy of building reliable, high quality pumps for every possible pool & spa application, the AstralPool FX Series flooded suction pumps fill an important market niche. Designed for use as 'booster' pumps for situations where flooded suction is possible and a hair and lint pot is unnecessary, the range of FX Series pumps is amazingly versatile.

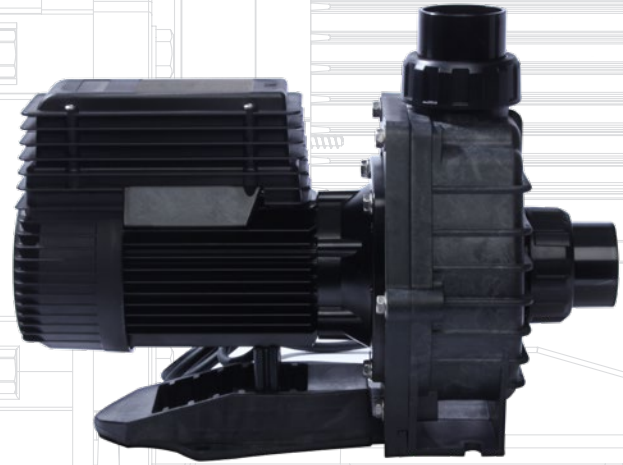
There are smaller horse power models that are ideally suited for use where flow rates are not huge. They are equally at home as solar pumps, with above-ground pools and as circulating pumps for heating systems. In each situation they provide just the quiet, reliable and efficient performance required. For the more demanding applications, such as swim jet pumps and multi jet spa pumps, the larger horsepower models are designed to deliver the high water flow required.

All AstralPool pumps use the highest quality materials and the FX is no exception. As a result it can deliver the power needed to move large volumes of water while generating very little operating noise.

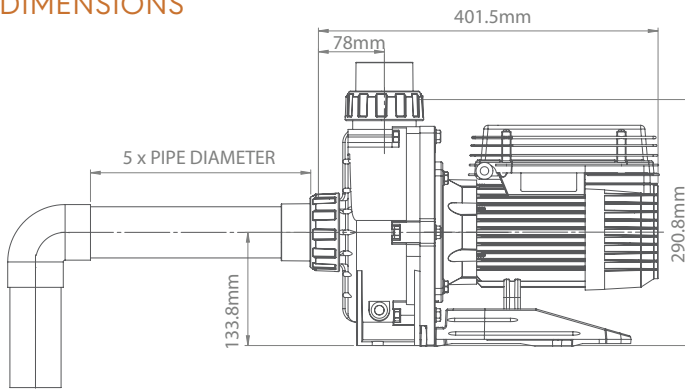
By eliminating reverse rotation of the impeller in high pressure situations ensures reliability, less energy and lower operating costs.

WARRANTY

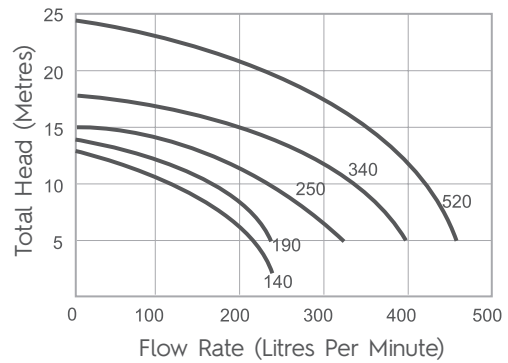
For warranty period, please refer to www.astralpool.com.au/warranty-information.



DIMENSIONS



FLOW CHART



TECHNICAL INFORMATION

Model	Volts	Phase	Input Watts	Horse Power	Flow Rate Max @ 8m/h	Full Load	Energy Consumption (kWh/Y)	Energy Star Rating
FX 140	240	Single	650	0.50	140 lpm	2.75	1068	1
FX 190	240	Single	822	0.75	190 lpm	3.47	1161	1
FX 250	240	Single	1015	1.00	250 lpm	4.38	1296	1
FX 340	240	Single	1617	1.50	340 lpm	7.10	1560	1
FX520	240	Single	1900	2.00	520 lpm	8.85	n/a	n/a