

MODEL GK7

Surface mounted pool light for concrete, fibreglass & vinyl Pools and Spas. (Ceramic Light Engine).



- Unique electrical connection, so power cable does not intrude into light cavity, eliminating possible sources of water entry.
- Cable can be disconnected from back of light.
- Extra low voltage: 12 volt AC **ONLY**
- To ensure synchronization of multiple lights all transformers must be controlled from a single isolating switch.
- Spa Electrics Pty Ltd is a fully Australian owned and operated company.
- Patented.

Options for other Pools.

Fibreglass Pools: Part No. GK6719

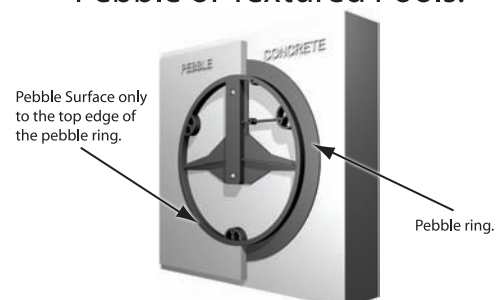


Part No. GK6719
Cable gland and seal assembly.

Vinyl Pools: Part No. GK6721



Pebble or Textured Pools.

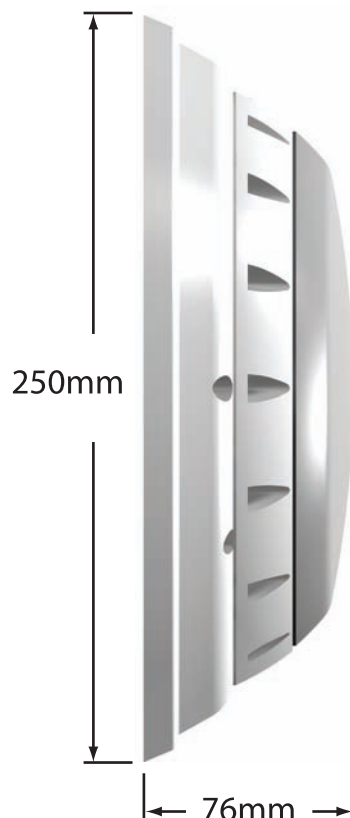
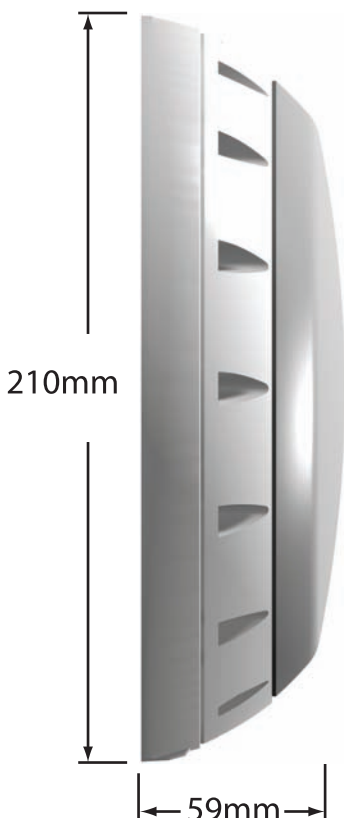


When using pebble mix on your pool, attach the pebble ring to the finished concrete wall with the pebble mix, then ensure the final pebble surface is flush with the inner and outer raised edge of the pebble ring.



Normal Plate.

Vinyl Plate.



Concrete.

Mounting Instructions for the Spa Electrics GK7 surface mounted light.

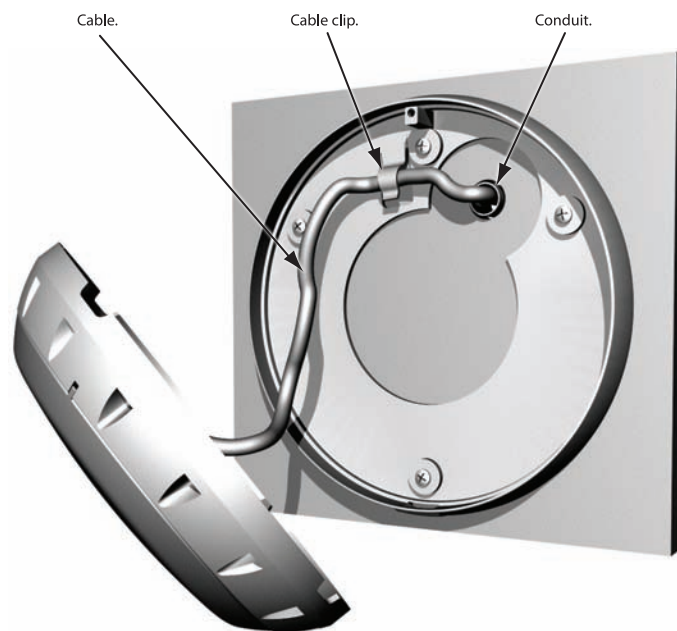
Step 1.

- Lights should only be submerged to a maximum depth of 400mm to the top of the light, any deeper and the warranty will be void.
- Ensure that the 'TOP' marking on backplate is facing up.
- Affix the backplate to the finished pool wall using only the four screws provided.



Step 2.

- Feed the cable through the conduit.
- Ensure enough cable is left behind light, so that the light can be raised above the coping for easy servicing.
- Hook the cable under the clip and spool the remaining cable into back of light.
- Clip the bottom of the light into the bottom of the backplate, then tilt the light up until it is properly seated.



Step 3.

- Gently tighten the fixing screw to lock the light securely into the backplate.
- Once your Light is fully submerged it is ready for use.



Important Points to note.

- The light should be installed on a flat wall.
- The top of the light should be installed no deeper than 400mm below water level for ease of servicing.
- For safe and proper installation, use only parts (screws, plugs, wire etc) provided.
- Your Spa Electrics transformer must be installed in an accessible location (not in roof or under floors).
- If planning to install the GK7 light into a vinyl lined pool you will require the GK6721 vinyl mounting kit.
- If planning to install the GK7 light into a fibreglass pool you will require the GK6719 fibreglass mounting kit.
- For operating instructions please refer to the multicolour user manual.
- When using pebble mix, attach the pebble ring to the finished concrete wall with the pebble mix, then ensure the final pebble surface is flush with the inner and outer raised edge of the pebble ring.

Warnings.

- The light must be water cooled at all times. DO NOT switch the light on until installation is complete and the light is fully submerged in water, otherwise your warranty will be void.
- Use only recommended cables for this light.
- Ensure sufficient additional cable is coiled behind the light for servicing. (800mm to 1000mm).
- This light contains NO user serviceable parts, opening the light will void your warranty.
- This light must NOT be used with switch mode or electronic transformers.
- This light is not suitable for horizontal mounting.