



PANTERA™ POOL PUMP

Reliability and Efficiency of another level

PANTERA™

POOL PUMP

Extra large hair and lint pot with see through lid

Self lubricating lint pot O-ring

Elevated motor foot

Stainless steel motor shaft

Self aligning barrel unions

Corrosion proof plastic yoke and rubber lip seal

FEATURES & BENEFITS

5 levels of corrosion resistance

Standard industry practice to protect pool pump motors from water ingress is normally only on two levels, a mechanical seal and flinger shaft sleeve. With over 30 years experience selling into the pool industry, we know the more protection you give the motor, the better off you are and that's why we build five levels of motor protection into the Pantera range of pool pumps.

Elevated motor foot

Incorporating an elevated mount into the pump design keeps moisture well away from the motor.

Stainless steel motor shaft

A 5/8" 316 Stainless Steel shaft extends the life of the pump shaft by utilising corrosion resistant stainless steel.

Shaft Sleeve

A nylon shaft sleeve incorporating a flinger, adds additional water ingress protection whilst providing double insulation to the water circuit.

Mechanical Seal

A heavy-duty 3/4" 316 Stainless Steel mechanical seal (on all models) provides extended life and longer intervals between servicing.

Plastic Yoke and Lip-Seal

The new wet end design integrates a moulded end-shield cover and lip seal, protecting the motor from water damage.

Extra large hair and lint pot with see through lid

The hair and lint pot stops large particles from blocking the pump waterways. Having a larger than average lint pot means less time cleaning. By manufacturing the lint pot with a clear lid, it only takes a few seconds to check whether or not it is full.

Low friction lint pot O-ring

Having a low friction self-lubricated O-ring on the lint pot means you only need to tighten the lid by hand. No tools are necessary and because you only tighten by hand, removing the lid is also a simple task.

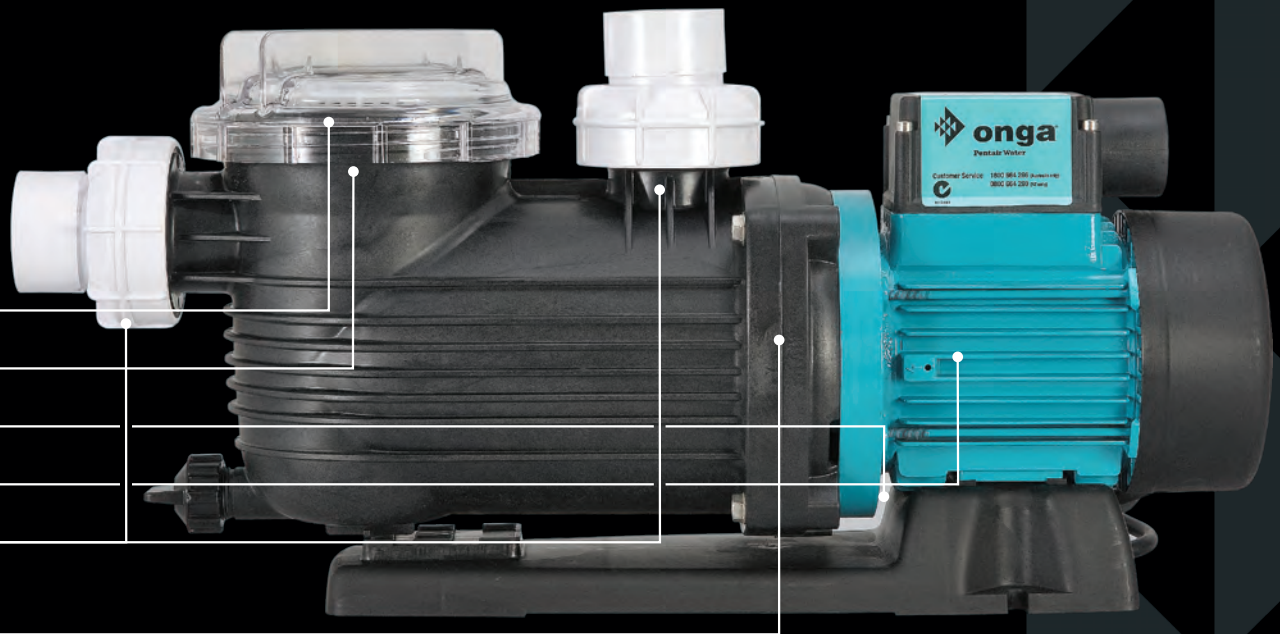
Self aligning barrel unions

Onga's unique 5 degree self-aligning barrel unions make pipework connection a breeze.

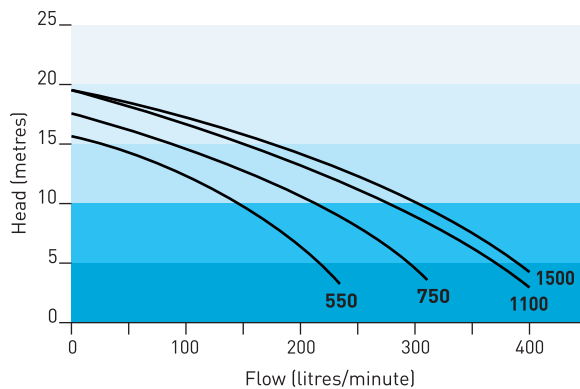
Electrical approvals

Rest easy knowing your Pantera pool pump has passed the Australian Standard AS/NZS 60335.2.41 for safety and is approved for installation within the wetted zone of the pool area.





PUMP PERFORMANCE CHART



OPERATING CONDITIONS

Suitable for pumping clean non-aggressive liquids without solids or fibres in suspension.

Fluid:	Water
Maximum working pressure:	295 kPa
Water (Swim Pool) temp range:	5°C-45°C
Ambient temperature:	55°C maximum

Pipe Fittings: Barrel unions to fit 40mm Australian Standard pipe (50mm with pipe coupling).

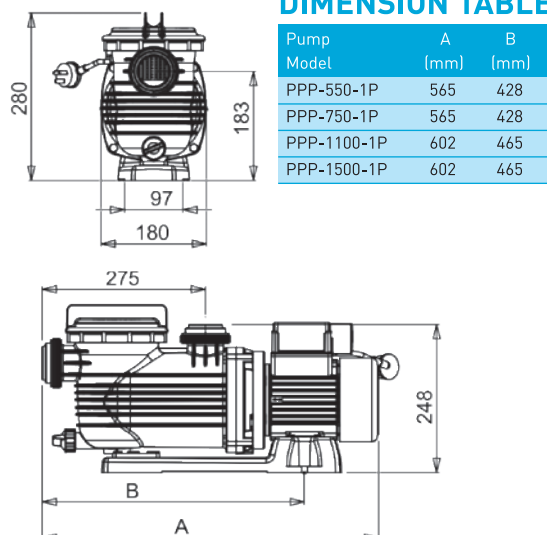
MOTOR

Type:	TEFC 2 pole continuously rated
Nominal speed:	2800 rpm
IP rating:	IPX5
Insulation class:	Class F
Thermal overload:	On-winding auto reset
Frequency:	50Hz
Voltage:	230-240V
Bearing type:	Deep groove ball bearing with double contact lip seal

MODEL DATA

Pump Model	Motor Kw Nominal	Supply Voltage	Phase	Full Load Current (A)	Locked Rotor Current (A)	Capacitor mfd	Sound Power Level dB(A)*	Supply Cord Length (m)	Net Weight (kg)	Packed Weight (kg)	Carton Dimensions L x W x H (mm)
PPP-550-1P	0.55 (1/4)	230-240V	1	2.9A	17A	20	62	2	12.5	14	660 x 240 x 305
PPP-750-1P	0.75 (1)	230-240V	1	3.9A	17A	20	66	2	12.5	14	660 x 240 x 305
PPP-1100-1P	1.0 (1 1/4)	230-240V	1	5.0A	21A	25	65	2	13.5	15	660 x 240 x 305
PPP-1500-1P	1.2 (1 1/2)	230-240V	1	6.1A	21A	25	66	2	13.5	15	660 x 240 x 305

* dB(A) @ 1 metre



DIMENSION TABLE

MATERIALS

Component	Material
Pump casing:	20% Glass filled ABS
Impeller:	20% Glass filled ABS
Baffle:	20% Glass filled ABS
Diffuser:	20% Glass filled ABS
Yoke:	20% Glass filled ABS
Drain cap:	Polypropylene
Shaft sleeve:	Nylon
Motor shaft:	316 series stainless steel
End shield:	Cast iron
Hair and lint pot O-ring:	Nitrile with Teflon
Casing O-ring:	Nitrile
Barrel union O-ring:	Nitrile
Barrel union:	ABS
Hair and lint pot lid:	Polycarbonate
Cord/Plug:	H07RNF 3G 1.0mm
Mechanical seal:	3/4" Carbon Ceramic, Nitrile Bellows, 316 SS Spring.



PANTERA™

POOL PUMP



AVAILABLE FROM:

Head Office

Pentair AU/NZ: 1-21 Monash Drive,
Dandenong South, Vic 3175

Australia

National Customer Service: Phone: 1300 137 344
Fax: 1800 006 688

National Dealer Locator: Phone: 1800 664 266

Email: au.sales@pentair.com
Web: www.pentair.com.au

New Zealand

National Customer Service: Phone: 0800 654 112
Fax: 0800 806 642

National Dealer Locator: Phone: 0800 664 269

Email: nz.sales@pentair.com
Web: www.pentair.co.nz

International Australia/New Zealand

Phone: +61 3 9709 5800
Fax: +61 3 9709 5888

Display, publication, modification or distribution is strictly prohibited without the prior written permission of Pentair Water Pty Ltd.

Disclaimer: Every endeavour has been made to publish the correct details in this publication. No responsibility will be taken for errors, omissions or changes in product specifications. Pentair reserves the right to change specifications.

pumps / filters / heaters / heat pumps / automation / lighting / cleaners / sanitizers / water features / maintenance products

©2012 Pentair Aquatic Systems. All rights reserved.

L300034-1012