



SilentFlo™

POOL PUMP

Quietness & Efficiency taken beyond

SilentFlo™

POOL PUMP

Large volume strainer basket

Stainless steel motor shaft

50mm barrel unions

Elevated base

FEATURES & BENEFITS

Quiet operation

A specially designed sound-dampening pump casing and base make pump operation incredibly quiet, enabling you to run the pump at night without disturbing the neighbours and take advantage of the off-peak tariffs.

High efficiency

Precision-fit internal components and superior hydraulic design deliver effortless performance, energy savings and extended pump life.

Elevated base

Further dampens sound and vibration for even quieter operation and keeps the pump above sitting water which minimises corrosion.

Stainless steel motor shaft

Extends the life of the pump by reducing corrosion.

Large volume Strainer basket

Minimises the maintenance requirement by extending the time between strainer basket clean outs.

50mm barrel unions

Quick and easy to install, while allowing pump removal without flexing pipework.

Dual connections

50mm thread or 50mm quick-disconnect barrel unions. Allows piping flexibility - threaded connections allow for permanent installation- service is still possible by removing the motor and yoke from the casing.

Thermoplastic casing and hydraulic parts

Constructed of our durable thermoplastic composite resin, so you can be sure it will stand up to the hardest conditions.

Cam & Ramp™ lid

Easy to remove, locks in place with a quarter turn, making inspection and cleaning a breeze.

Captive bolts

Easy servicing, no lost fasteners.

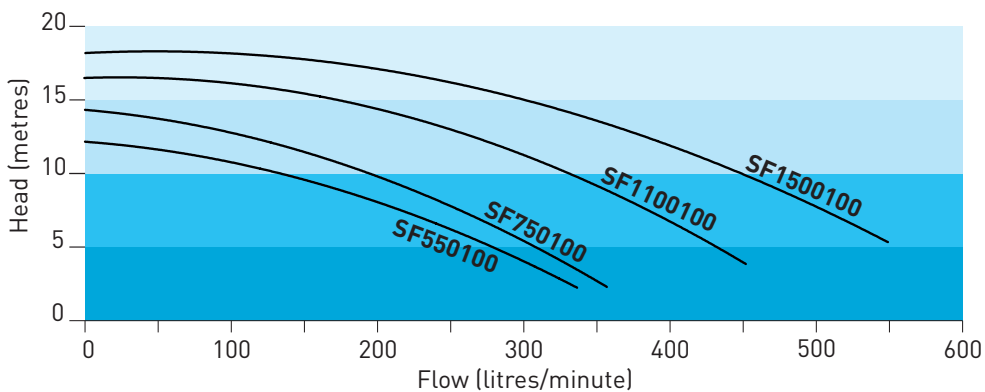
Electrical approvals

Rest easy knowing your Pantera pool pump has passed the Australian Standard AS/NZS 60335.2.41 for safety and is approved for installation within the wetted zone of the pool area.





PUMP PERFORMANCE CHART



OPERATING CONDITIONS

Suitable for pumping clean non-aggressive liquids without solids or fibres in suspension.

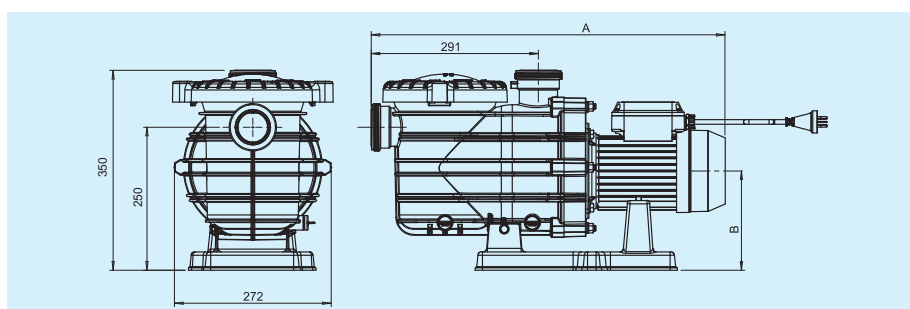
Fluid:	Water
Maximum working pressure:	360 kPa
Water (Swim Pool) temp range:	5°C-40°C
Ambient temperature:	55°C maximum

MOTOR

Type:	TEFC 2 pole continuously rated
Nominal speed:	2900 rpm
IP rating:	IPX5
Insulation class:	Class F
Thermal overload:	Internal, auto reset
Frequency:	50Hz
Voltage:	230-240V
Bearing type:	Deep groove ball bearing with double contact lip seal

MATERIALS

Component	Material
Pump Casing	Polypropylene 40% Glass Filled
Impeller	Polyphenylene Ether
Diffuser	Polypropylene Hp Tf 40%
Yoke	Polypropylene 40% Glass Filled
Drain Plugs	Polypropylene
Motor Shaft	Stainless Steel 303
End Shield	Cast Aluminium
Strainer Basket	High Impact Polystyrene
Strainer Basket O-ring	Low Friction Nitrile
Strainer Pot Lid	Makrolon Polycarbonate
Barrel Unions	ABS
Base	Copolymer Polypropylene
Mechanical Seal	3/4" Carbon ceramic Nitrile bellows 316 SS spring



DIMENSIONS

Pump Model	A (mm)	B (mm)
SF550100	616	173
SF750100	616	173
SF1100100	637	179
Sf1500100	677	179

MODEL DATA

Pump Model	Motor power	Supply Voltage	Phase	Sound Pressure Level	Full Load current	Locked Rotor current	Capacitor
Abbreviation	P1	P2		SPL	FLA	LRA	
Unit of Measure	Watt	Watt	V	dB(A)*	Amp	Amp	µF
SF550100	600	450	230-240V	1	56	2.6	25
SF750100	740	550	230-240V	1	56	3.3	25
SF1100100	1050	790	230-240V	1	59	5.0	25
SF1500100	1590	1190	230-240V	1	61	6.7	35

* dB(A) @ 1 metre

SilentFlo™

POOL PUMP



AVAILABLE FROM:

Head Office

Pentair AU/NZ: 1-21 Monash Drive,
Dandenong South, Vic 3175

Australia

National Customer Service: Phone: 1300 137 344
Fax: 1800 006 688
National Dealer Locator: Phone: 1800 664 266

Email: au.sales@pentair.com
Web: www.pentair.com.au

New Zealand

National Customer Service: Phone: 0800 654 112
Fax: 0800 806 642
National Dealer Locator: Phone: 0800 664 269

Email: nz.sales@pentair.com
Web: www.pentair.co.nz

International Australia/New Zealand

Phone: +61 3 9709 5800
Fax: +61 3 9709 5888

Display, publication, modification or distribution is strictly prohibited without the prior written permission of Pentair Water Pty Ltd.

Disclaimer: Every endeavour has been made to publish the correct details in this publication. No responsibility will be taken for errors, omissions or changes in product specifications. Pentair reserves the right to change specifications.

pumps / filters / heaters / heat pumps / automation / lighting / cleaners / sanitizers / water features / maintenance products

©2012 Pentair Aquatic Systems. All rights reserved.