



# Zodiac Titan Series

*high performance* pool pump



**Zodiac's Titan Series pool pumps** are a high performance medium head pool pump suitable for small to medium sized residential pools.

A reliable workhorse pump the Titan Series pool pump will provide you with years of service and minimal maintenance.



**ZODIAC®**

*a better life*

## Energy and Cost Efficient

The Titan Series pool pump is extremely energy efficient and quiet when in operation. Suitable for small to medium sized residential pools. The impeller and diffuser have been designed to ensure maximum output with minimum turbulence.

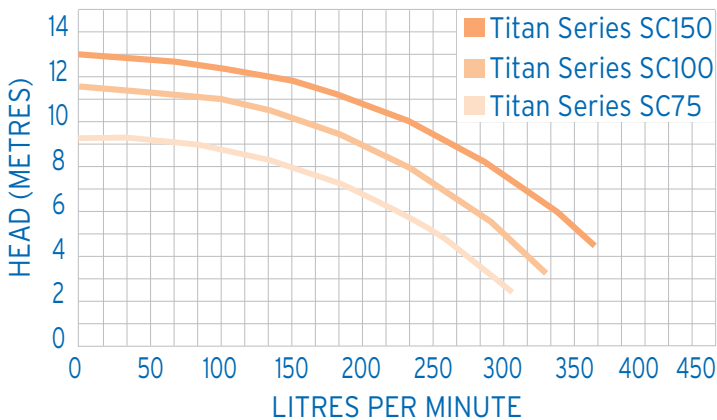
## User Friendly

The Titan Series pool pump has been designed with the consumer in mind. Equipped with a clear view easy to remove hair and lint pot lid and a ring lock body design with a ring lock spanner included for easy maintenance. The compact design of the pump also allows it to be installed in confined filtration setups.

## Specifications

Model No	HP	Voltage	Input Watts	Full Load Amps
ZTS075	0.75	240	750	3.5
ZTS100	1	240	970	4.7
ZTS150	1.5	240	1300	6

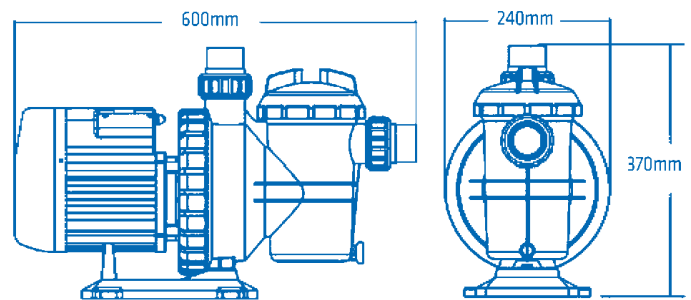
## Performance Curves



## Quality Assurance

The Zodiac Titan Series pool pump has been specifically designed and certified to Australian Standards. The pump is double insulated with an IPX5 motor rating. To ensure the pump does not overheat it has been equipped with inbuilt thermal protection. The pump also features a moulded base plate providing it with extra clearance from the floor to safeguard it against any potential water damage. Backed by a hassle free two year warranty (1 year on mechanical seal).

## Schematic



Zodiac lives in the backyards of Australian families, at home in the pool. Zodiac began and continues with a dedication to innovation and new product development, focused on ensuring a better way of life. Our products deliver solutions to take the hassle out of owning a pool. So, all that's left is for you to enjoy it; to enjoy a better life.